

# GAS SPRING, SMALL DIMENSION AND LOW FORCE

## Description:

The gas springs are colour-coded according to the spring force rating ranges 50–100–150–200 daN.

All springs, regardless of their spring force ratings, are of the same design. The differing force ratings result exclusively from the differing charge pressures.

Do take into consideration the colour-coded pressure rating during repair work and recharging.

## Note:

Order No for spare parts kit: 2480.21.00150

Pressure medium: Nitrogen N<sub>2</sub>

Max. filling pressure: 180 bar

Min. filling pressure: 25 bar

Working temperature: 0°C to +80°C

Temperature related force increase: ± 0.3%/°C

Max. recommended extensions per minute:

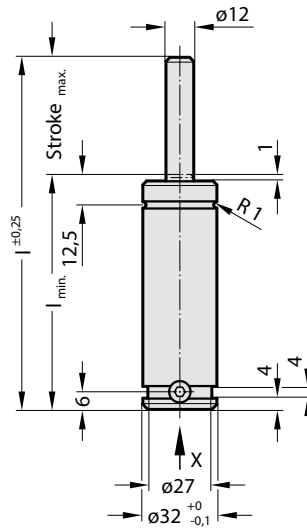
approx. 80 to 100 (at 20°C)

Max. piston speed: 1.6 m/s

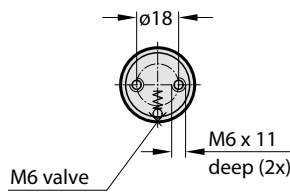
Spring forces as per spring diagram.

Upon customers request, also available unfilled, Order No 2480.22.00000....., Colour: black

2480.22. .2



View X - Gas spring



## 2480.22. .2 Gas spring, small dimension and low force

Order No*	Stroke <sub>max.</sub> (s)	l	l <sub>min.</sub>
2480.22.□□□□.010.2	10	70	60
2480.22.□□□□.013.2	12.7	75.4	62.7
2480.22.□□□□.016.2	16	82	66
2480.22.□□□□.025.2	25	100	75
2480.22.□□□□.038.2	38.1	126.2	88.1
2480.22.□□□□.050.2	50	150	100
2480.22.□□□□.063.2	63.5	177	113.5
2480.22.□□□□.080.2	80	210	130
2480.22.□□□□.100.2	100	250	150
2480.22.□□□□.125.2	125	300	175

\*complete with initial spring force

Spring force marking:

Initial spring force [daN] - Pressure [bar] - Colour:

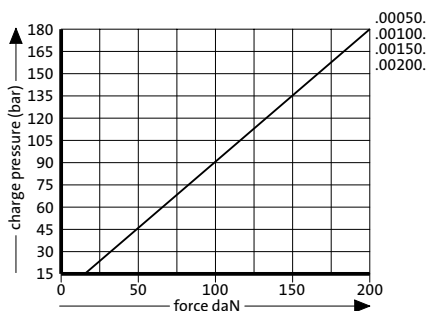
.00050. - 45 - green

.00100. - 90 - blue

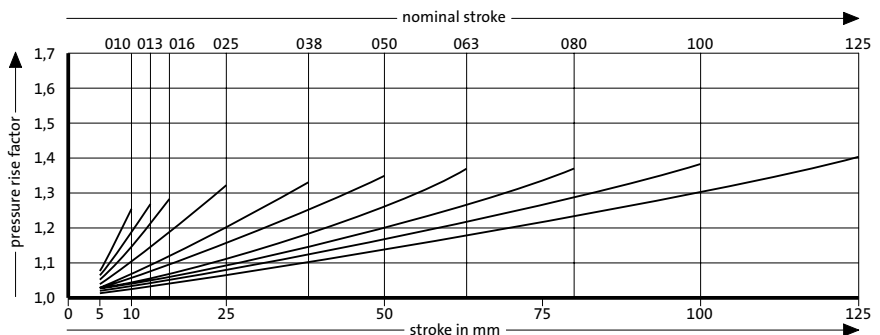
.00150. - 135 - red

.00200. - 180 - yellow

Initial spring force versus charge pressure



Spring force Diagram displacement versus stroke rise



Pressure rise factor accounts for displacement but not external influences!