

GAS SPRING HEAVY DUTY

Note:

Initial spring force at 150 bar = 4200 daN

Order No for spare parts kit: 2488.13.04200

Gas spring without valve

Order No (example): 2488.13.04200..P

Pressure medium: Nitrogen N₂

Max. filling pressure: 150 bar

Min. filling pressure: 25 bar

Working temperature: 0°C to +80°C

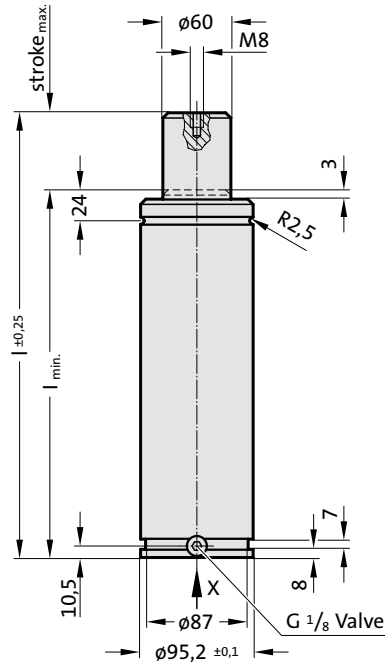
Temperature related force increase: ± 0.3%/°C

Max. recommended extensions per minute:

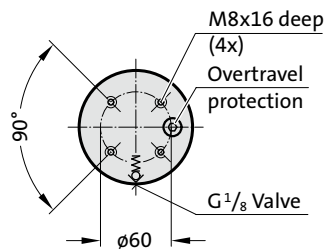
approx. 15 to 100 (at 20°C)

Max. piston speed: 1.6 m/s

2488.13.04200.



View X

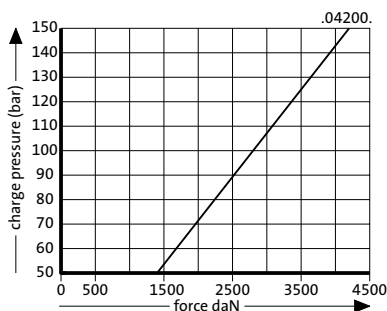


2488.13.04200.

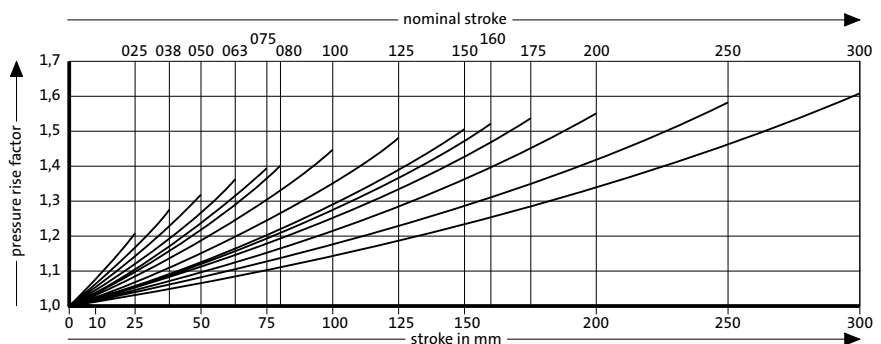
Gas spring HEAVY DUTY

Order No	Stroke _{max.} (s)	l _{min.}	l
2488.13.04200.025	25	145	170
2488.13.04200.038	38	158	196
2488.13.04200.050	50	170	220
2488.13.04200.063	63	183	246
2488.13.04200.075	75	195	270
2488.13.04200.080	80	200	280
2488.13.04200.100	100	220	320
2488.13.04200.125	125	245	370
2488.13.04200.150	150	270	420
2488.13.04200.160	160	280	440
2488.13.04200.175	175	295	470
2488.13.04200.200	200	320	520
2488.13.04200.250	250	370	620
2488.13.04200.300	300	420	720

Initial spring force versus charge pressure



Spring force Diagram displacement versus stroke rise



Pressure rise factor accounts for displacement but not external influences!