

CONTROLLABLE GAS SPRINGS HOT FORMING CONTROL SYSTEM ELECTRO-PNEUMATIC VALVE

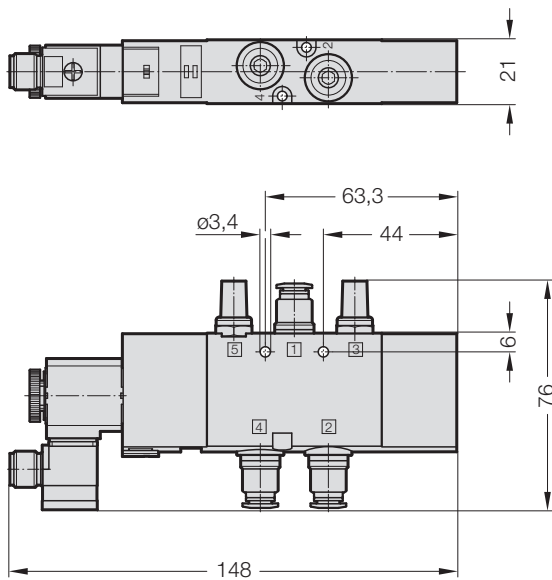
2489.00.41.52

5/2 way valve, electro-pneumatic

NOTE:

Fluid: Air or inert gas, filtered oily or dry

Voltage: 24V DC – (2,6 W)



CONNECTION CABLE STRAIGHT

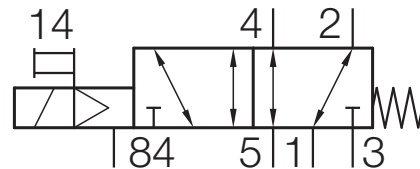
order separately

Order No		l [m]
2489.00.41.00.01	M12x1, 3-pole end open	2,50

CONNECTION CABLE 90°

order separately

Order No		l [m]
2489.00.41.00.02	M12x1, 3-pole end open	2,50



ELECTRICAL CONNECTION PORT

