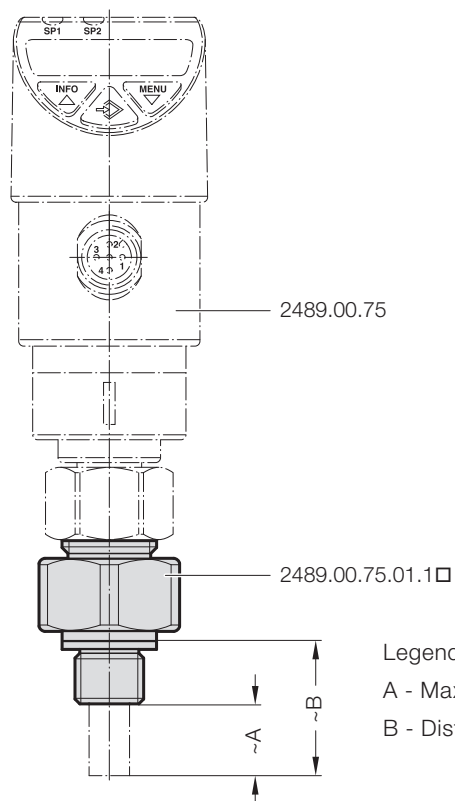


CONTROLLABLE GAS SPRINGS ADAPTER FOR FLOW SWITCH, ELECTRONIC

ADAPTER FOR FLOW SWITCH, ELECTRONIC



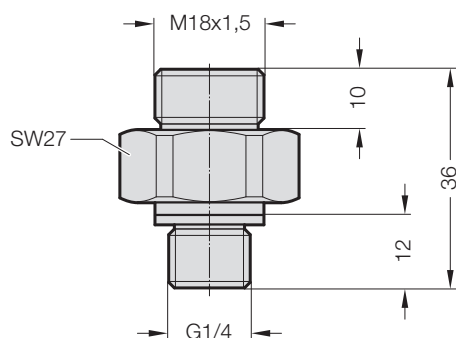
Legend:

A - Maximum sensor immersion depth

B - Distance from sealing surface to sensor tip

2489.00.75.01.14

Adapter for flow switch, electronic



DESCRIPTION:

for connection G1/4

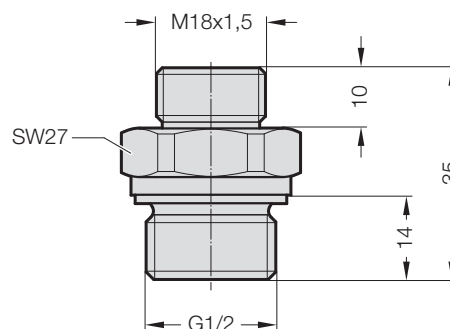
NOTE:

A = 16 mm

B = 28 mm

2489.00.75.01.12

Adapter for flow switch, electronic



DESCRIPTION:

for connection G1/2

NOTE:

A = 17 mm

B = 31 mm