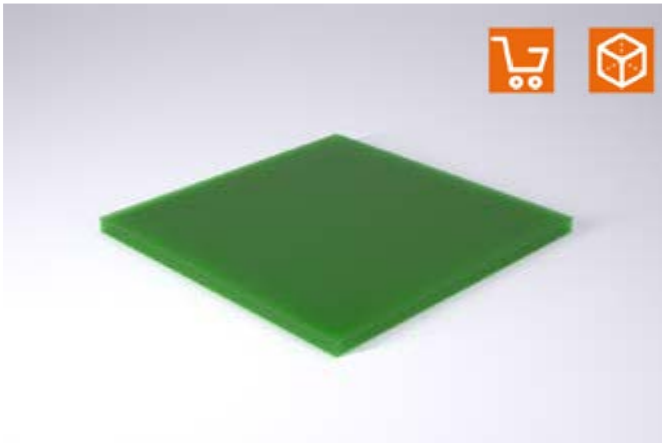
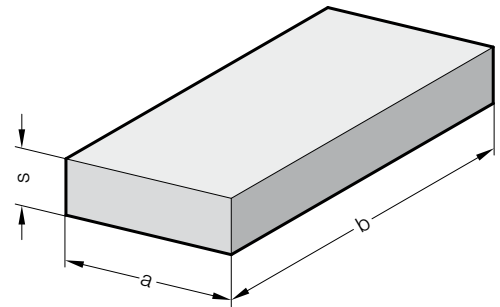


FIBROFLEX®-板



251.



结构:

FIBROFLEX® 可以用三种不同的邵氏A硬度供货。

.5.=80 Shore A = 绿色

.6.=90 Shore A = 黄色

.7.=95 Shore A = 红色

🔗 进一步技术数据在第 G 章开头。

订购示例:

FIBROFLEX®-板		=251.
弹簧硬度	80 Shore A =	5.
厚度 s	15 mm =	015.
长度 a	250 mm =	0250.
宽 b	250 mm =	0250
订购编号		=251. 5.015. 0250. 0250

251. FIBROFLEX®-板

	250	250	500	500	1,000
b	250	500	500	1,000	1,000
s					
1	●	●	●	●	
2	●	●	●	●	
3	●	●	●	●	
4	●	●	●	●	
5	●	●	●	●	
6	●	●	●	●	
7	●	●	●	●	
8	●	●	●	●	●
10	●	●	●	●	●
12	●	●	●	●	●
15	●	●	●	●	●
20	●	●	●	●	●
25	●	●	●	●	●
30	●	●	●	●	●
40	●	●	●	●	●
50	●	●	●	●	●
60	●	●	●	●	●
70	●	●	●	●	●
80	●	●	●	●	●