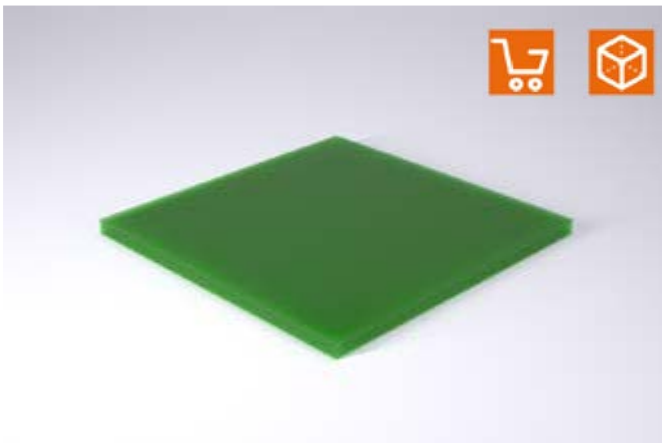
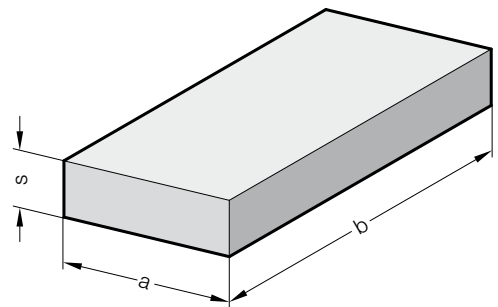


FIBROFLEX®-DESKA



251.




Provedení:

FIBROFLEX® lze dodat ve 3 tvrdostech Shore A:

.5. = 80 Shore A = zelený

.6. = 90 Shore A = žlutý

.7. = 95 Shore A = červený

 Další technické údaje naleznete v kapitole G.

Příklad objednávky:

FIBROFLEX®-Deska		=251.
Tvrdost pružiny	80 Shore A =	5.
Tloušťka s	15 mm =	015.
Délka a	250 mm =	0250.
Šířka b	250 mm =	0250
Objednací číslo		=251. 5.015. 0250. 0250

251. FIBROFLEX®-Deska

a	250	250	500	500	1 000
b	250	500	500	1 000	1 000
s					
1	●	●	●	●	
2	●	●	●	●	
3	●	●	●	●	
4	●	●	●	●	
5	●	●	●	●	
6	●	●	●	●	
7	●	●	●	●	
8	●	●	●	●	●
10	●	●	●	●	●
12	●	●	●	●	●
15	●	●	●	●	●
20	●	●	●	●	●
25	●	●	●	●	●
30	●	●	●	●	●
40	●	●	●	●	●
50	●	●	●	●	●
60	●	●	●	●	
70	●	●	●	●	
80	●	●	●	●	