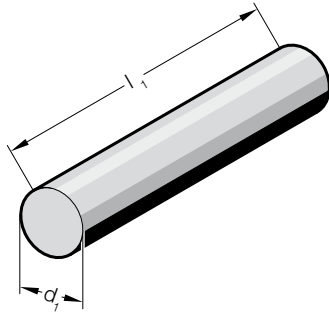


## FIBROELAST®-ROUND ROD

2531.4.



### Material:

Polyester-based polyurethane  
Hardness 70 Shore A

### Colour:

white

### Physical properties:

Shore hardness A: 70  
100% modulus of elasticity: 3,0 [N/mm<sup>2</sup>]  
300% modulus of elasticity: 6,0 [N/mm<sup>2</sup>]  
Tensile strength: 28 [N/mm<sup>2</sup>]  
Elongation: 500 [%]  
Tear resistance: 58 [kN/m]  
Permanent set (70°C): 45 [%]  
Rebound elasticity: 55 [%]  
Maximum deformation: 40 [%]

### 2531.4. FIBROELAST®-Round rod

Order No	$d_1$	$l_1$
2531.4.016	16	330
2531.4.020	20	500
2531.4.025	25	500
2531.4.032	32	500
2531.4.040	40	500
2531.4.050	50	500
2531.4.063	63	500
2531.4.080	80	500
2531.4.100	100	500
2531.4.125	125	500