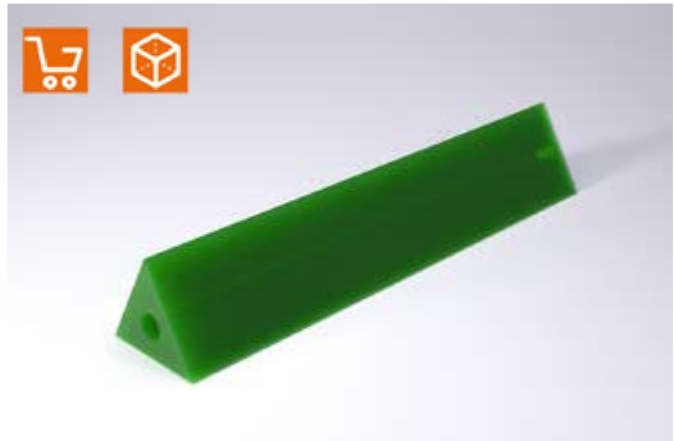
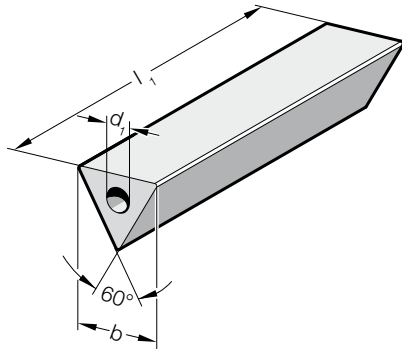


## FIBROFLEX®-HOLLOW TRIANGULAR ROD (60°)

257.




### Execution:

FIBROFLEX® is available in 3 Shore hardnesses:

.5.=80 Shore A = colour: Green

.6.=90 Shore A = colour: Yellow

.7.=95 Shore A = colour: Red

 Further technical data at the beginning of Chapter G.

### Ordering Code (example):

FIBROFLEX®-Hollow triangular rod (60°)	=257.
Spring hardness MAT	80 Shore A = 5.
Kantenlänge b	50 mm = 050.
Length l <sub>1</sub>	250 mm = 0250
Order No	=257. 5.050. 0250

### 257. FIBROFLEX®-Hollow triangular rod (60°)

b	d <sub>1</sub>	l <sub>1</sub>	250	500
35	8		●	●
50	12		●	●
80	20		●	●