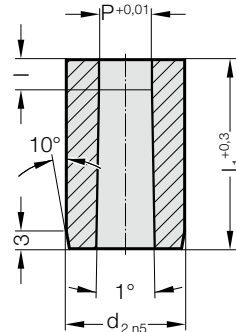


SCHNEIDBUCHSE OHNE BUND, RUND, AUTOMOBIL-NORM



2615.



2615. Schneidbuchse ohne Bund, Rund, Automobil-Norm

d ₂ / (Bestellziffer)	P	l / Bestellziffer	l ₁ / (Bestellbuchstabe)	13 (A)	16 (B)	20 (C)	22 (D)	25 (E)	28 (F)	30 (G)	32 (H)	35 (J)	40 (K)
10 / (4)	1,6 - 6,8	3 (2) 4 (3) 5 (4)		●	●	●	●	●	●	●	●	●	
13 / (5)	3 - 8,8	3 (2) 5 (4) 8 (6)		●	●	●	●	●	●	●	●	●	
16 / (6)	7,4 - 10,8	3 (2) 5 (4) 8 (6)				●	●	●	●	●	●	●	
20 / (7)	9,5 - 13,6	3 (2) 5 (4) 10 (7)				●	●	●	●	●	●	●	
22 / (8)	10,5 - 15	3 (2) 6 (5) 10 (7)				●	●	●	●	●	●	●	
25 / (9)	12 - 17	3 (2) 6 (5) 10 (7)				●	●	●	●	●	●	●	
32 / (10)	16 - 22	3 (2) 6 (5) 12 (8)				●	●	●	●	●	●	●	
38 / (11)	18 - 27	3 (2) 8 (6) 12 (8)				●	●	●	●	●	●	●	●
40 / (12)	18 - 27	3 (2) 8 (6) 12 (8)				●	●	●	●	●	●	●	●
45 / (13)	18 - 35	3 (2) 8 (6) 12 (8)					●	●	●	●	●	●	●
50 / (14)	18 - 40	3 (2) 8 (6) 12 (8)					●	●	●	●	●	●	●
56 / (15)	18 - 45	3 (2) 8 (6) 12 (8)					●	●	●	●	●	●	●
63 / (16)	18 - 50	3 (2) 8 (6) 12 (8)					●	●	●	●	●	●	●
71 / (17)	18 - 56	3 (2) 8 (6) 12 (8)					●	●	●	●	●	●	●
76 / (18)	25 - 60	3 (2) 8 (6) 12 (8)						●	●	●	●	●	●
85 / (19)	25 - 66	3 (2) 8 (6) 12 (8)						●	●	●	●	●	●
90 / (20)	32 - 70	3 (2) 8 (6) 12 (8)						●	●	●	●	●	●
100 / (21)	32 - 78	3 (2) 8 (6) 12 (8)						●	●	●	●	●	●

Werkstoff:

HSS

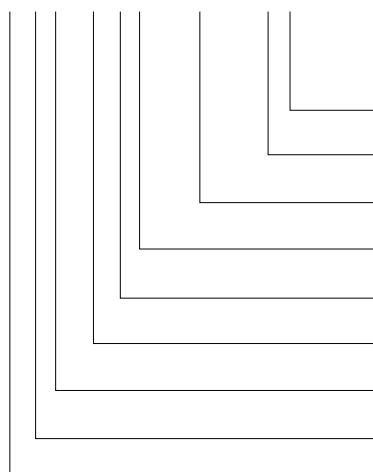
Härte 62 ± 2 HRC

Ausführung:

Durchmesser d₂ sowie Stirnflächen geschliffen.
Sonderanfertigung auf Anfrage.

Bestell-Beispiel: ohne / mit Verdrehung

2615.10F8.2190/.A3



Verdrehung:

Stift Ø 6 mm

Winkel:

0°

Form: Rund

P = Ø 21,9 mm

Formschneidlänge: l

12 mm

Länge: l₁

28 mm

Durchmesser: d₂

32 mm

Typ: ohne Bund

Automobil-Norm

Ausführung:

Rund

Schneidbuchse

Bestellziffer

= (3)

Bestellbuchstabe

= (A)

= (2190)

Bestellziffer

= (8)

Bestellbuchstabe

= (F)

Bestellziffer

= (10)

Bestellziffer

= (5)

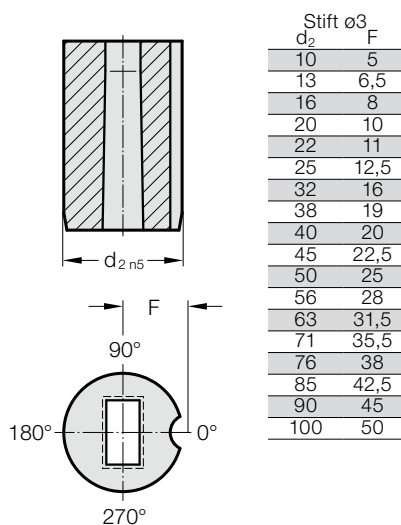
Bestellziffer

= (1)

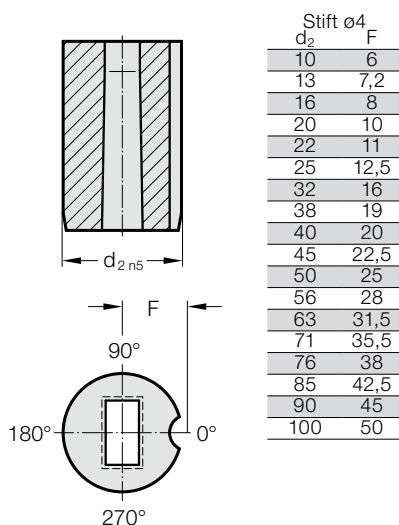
= 26

SCHNEIDBUCHSEN OHNE BUND, AUTOMOBIL-NORM, VERDREHSICHERUNGEN

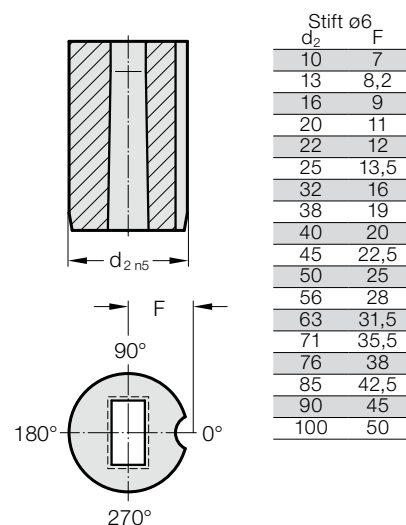
Verdrehsicherung 1 (1)



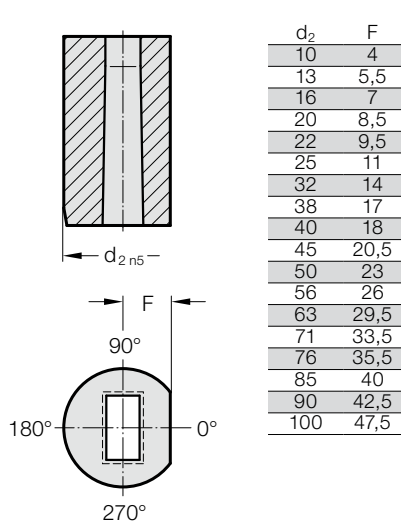
Verdrehsicherung 2 (2)



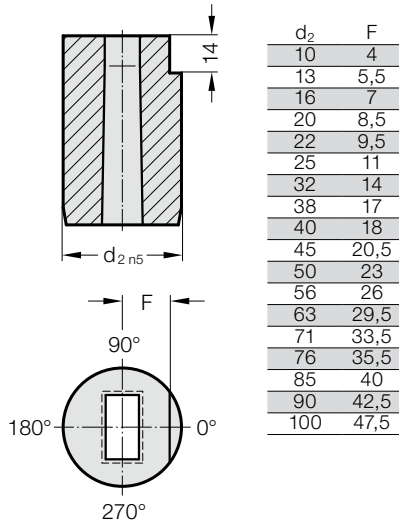
Verdrehsicherung 3 (3)



Verdrehsicherung 4 (4)



Verdrehsicherung 5 (5)



Verdrehsicherung 6 (6)

