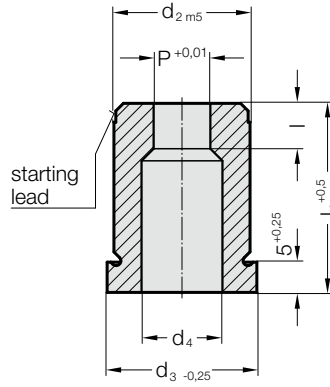


MATRIX WITH SHOULDER, ROUND, ISO 8977



2617.



2617. Matrix with shoulder, round, ISO 8977

d ₂ / Order No	d ₃	d ₄	P	l / Order No	l ₁ / (Order Code character)	16 (B)	20 (C)	22 (D)	25 (E)	28 (F)	30 (G)	32 (H)	35 (J)
5 / (1)	8	2.8	1 - 2,4	2 (1)		●	●	●	●	●	●	●	●
6 / (2)	9	3.5	1,6 - 3	3 (2)		●	●	●	●	●	●	●	●
8 / (3)	11	4	2 - 3,5	4 (3)		●	●	●	●	●	●	●	●
10 / (4)	13	5.8	2,5 - 5	4 (3) 8 (6)		●	●	●	●	●	●	●	●
13 / (5)	16	8	4 - 7	5 (4) 8 (6)			●	●	●	●	●	●	●
16 / (6)	19	9.5	6 - 9	5 (4) 8 (6)			●	●	●	●	●	●	●
20 / (7)	23	12	8 - 11	8 (6) 12 (8)			●	●	●	●	●	●	●
22 / (8)	25	15	9 - 14	8 (6) 12 (8)			●	●	●	●	●	●	●
25 / (9)	28	17.3	10,7 - 16	8 (6) 12 (8)			●	●	●	●	●	●	●
32 / (10)	35	20.7	15 - 20	8 (6) 12 (8)			●	●	●	●	●	●	●
38 / (11)	41	27.7	19 - 27	8 (6) 12 (8)			●	●	●	●	●	●	●
40 / (12)	43	27.7	19 - 27	8 (6) 12 (8)			●	●	●	●	●	●	●
50 / (14)	53	37	26 - 36	8 (6) 12 (8)			●	●	●	●	●	●	●

Material:

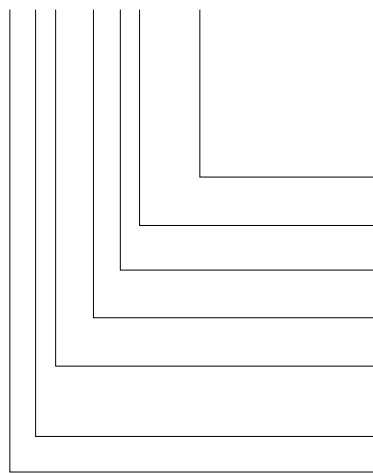
HSS
Hardness 62 ± 2 HRC

Execution:

Diameter d₂, starting lead and face surfaces ground.
Special dimensions on request.

Ordering Code (example): without anti-rotation element

2617.10F8.1510

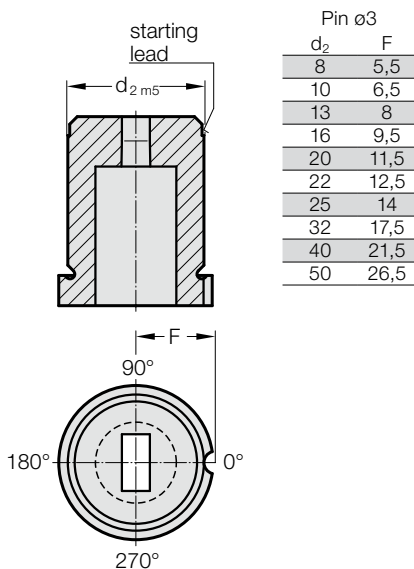


Shape: round
P = ø15,1 mm
Shape cutting length: l
12 mm
Length: l₁
28 mm
Diameter: d₂
32 mm
Type:
with shoulder
ISO 8977
Execution:
round
Matrix

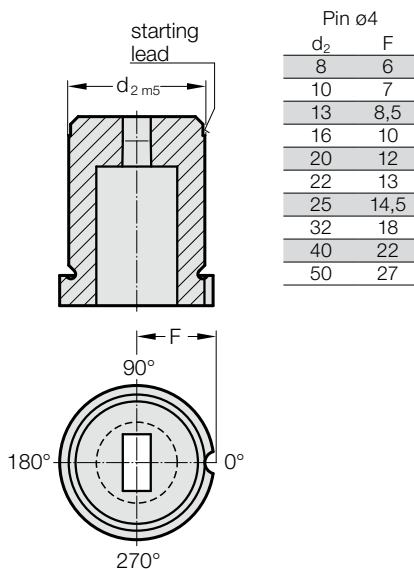
= 1510
Order No
= (8)
Order Code character
= (F)
Order No
= (10)
Order No
= (7)
Order No
= (1)
= 26

MATRIXES WITH SHOULDER, CYLINDRICAL, ISO 8977, ANTI-ROTATION ELEMENTS

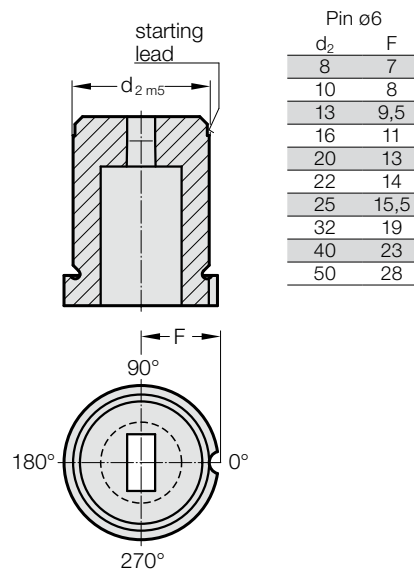
Anti-rotation element 1 (1)



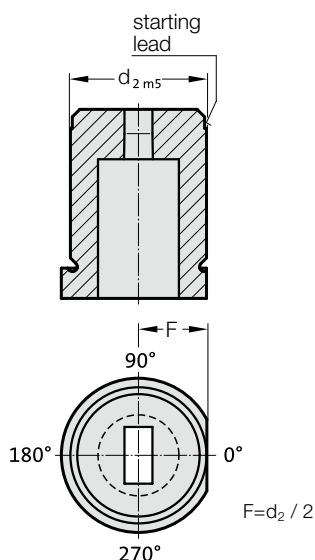
Anti-rotation element 2 (2)



Anti-rotation element 3 (3)



Anti-rotation element 4 (4)



Ordering Code (example): with anti-rotation element from $d_2 \geq 8$ mm

2617.10F8.1510.A4

<div style="border-bottom: 1px solid black; height: 10px; width: 100%;"></div> <div style="border-bottom: 1px solid black; height: 10px; width: 90%;"></div> <div style="border-bottom: 1px solid black; height: 10px; width: 80%;"></div> <div style="border-bottom: 1px solid black; height: 10px; width: 70%;"></div> <div style="border-bottom: 1px solid black; height: 10px; width: 60%;"></div> <div style="border-bottom: 1px solid black; height: 10px; width: 50%;"></div> <div style="border-bottom: 1px solid black; height: 10px; width: 40%;"></div> <div style="border-bottom: 1px solid black; height: 10px; width: 30%;"></div> <div style="border-bottom: 1px solid black; height: 10px; width: 20%;"></div> <div style="border-bottom: 1px solid black; height: 10px; width: 10%;"></div>	<p>Anti-rotation element: Polished surface (continuous)</p> <p>Angle: 0°</p> <p>Shape: round P = $\varnothing 15,1$ mm</p> <p>Shape cutting length: l 12 mm</p> <p>Length: l₁ 28 mm</p> <p>Diameter: d₂ 32 mm</p> <p>Type: with shoulder ISO 8977</p> <p>Execution: round</p> <p>Matrix</p>	<p>Order No = (4)</p> <p>Order Code character = (A)</p> <p>= 1510</p> <p>Order No = (8)</p> <p>Order Code character = (F)</p> <p>Order No = (10)</p> <p>Order No = (7)</p> <p>Order No = (1)</p> <p>= 26</p>
--	---	---