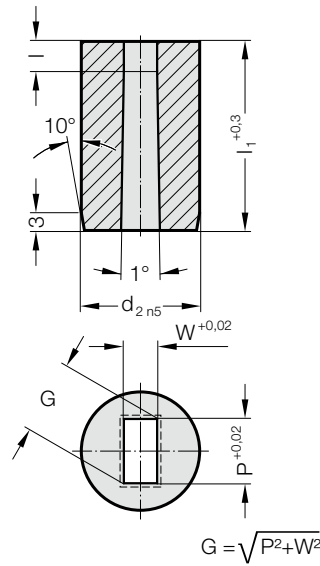


MATRIX WITHOUT SHOULDER, RECTANGULAR, AUTOMOTIVE STANDARD



2635.



2635. Matrix without shoulder, rectangular, Automotive Standard

d ₂ / Order No	W _{min}	G _{max}	I / Order No	l ₁ / (Order Code character)	13	16	20	22	25	28	30	32	35	40
					(A)	(B)	(C)	(D)	(E)	(F)	(G)	(H)	(J)	(K)
10 / (4)	1.3	6.8	3 (2) 4 (3) 5 (4)		●	●	●	●	●	●	●	●	●	●
13 / (5)	1.9	8.8	3 (2) 5 (4) 8 (6)		●	●	●	●	●	●	●	●	●	●
16 / (6)	1.9	10.8	3 (2) 5 (4) 8 (6)				●	●	●	●	●	●	●	●
20 / (7)	1.9	13.6	3 (2) 5 (4) 10 (7)				●	●	●	●	●	●	●	●
22 / (8)	1.9	15	3 (2) 6 (5) 10 (7)				●	●	●	●	●	●	●	●
25 / (9)	1.9	17	3 (2) 6 (5) 10 (7)				●	●	●	●	●	●	●	●
32 / (10)	1.9	22	3 (2) 6 (5) 12 (8)				●	●	●	●	●	●	●	●
38 / (11)	1.9	27	3 (2) 8 (6) 12 (8)				●	●	●	●	●	●	●	●
40 / (12)	1.9	27	3 (2) 8 (6) 12 (8)				●	●	●	●	●	●	●	●
45 / (13)	2.4	35	3 (2) 8 (6) 12 (8)				●	●	●	●	●	●	●	●
50 / (14)	4	40	3 (2) 8 (6) 12 (8)				●	●	●	●	●	●	●	●
56 / (15)	4	45	3 (2) 8 (6) 12 (8)				●	●	●	●	●	●	●	●
63 / (16)	4	50	3 (2) 8 (6) 12 (8)				●	●	●	●	●	●	●	●
71 / (17)	4	56	3 (2) 8 (6) 12 (8)				●	●	●	●	●	●	●	●
76 / (18)	5.6	60	3 (2) 8 (6) 12 (8)				●	●	●	●	●	●	●	●
85 / (19)	5.6	66	3 (2) 8 (6) 12 (8)				●	●	●	●	●	●	●	●
90 / (20)	5.6	70	3 (2) 8 (6) 12 (8)				●	●	●	●	●	●	●	●
100 / (21)	5.6	78	3 (2) 8 (6) 12 (8)				●	●	●	●	●	●	●	●

Material:

HSS
Hardness 62 ± 2 HRC

Execution:

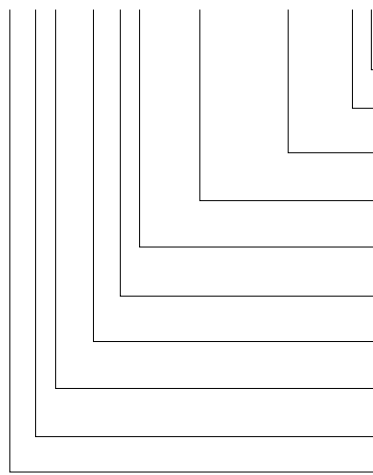
Diameter d₂ and end faces ground.
Special dimensions on request.

Note:

With kerf ≤ 0.04 mm, FIBRO rounds off sharp edges if the punch and piercing die bush are ordered together. This reduces the fitting time and the risk of an edge break during operation.

Ordering Code (example): with anti-rotation element

2635.10F8.1350.0650.A3



Anti-rotation element:

Pin ∅ 6 mm

Angle:

0°

Shape: rectangular, Width W

W = 6,5 mm

Shape: rectangular, Length P

P = 13,5 mm

Shape cutting length: l

12 mm

Length: l₁

28 mm

Diameter: d₂

32 mm

Type: without shoulder

Automotive Standard

Execution:

rectangular

Matrix

Order No

= (3)

Order Code character

= (A)

= (0650)

= (1350)

Order No

= (8)

Order Code character

= (F)

Order No

= (10)

Order No

= (5)

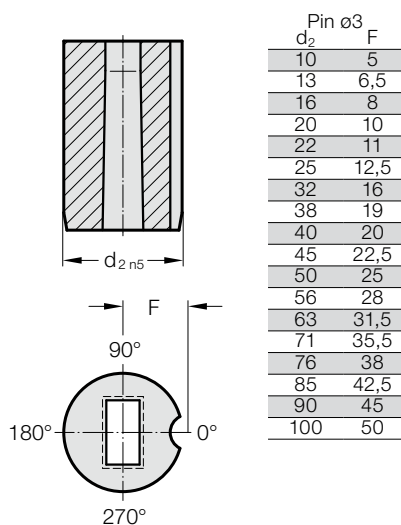
Order No

= (3)

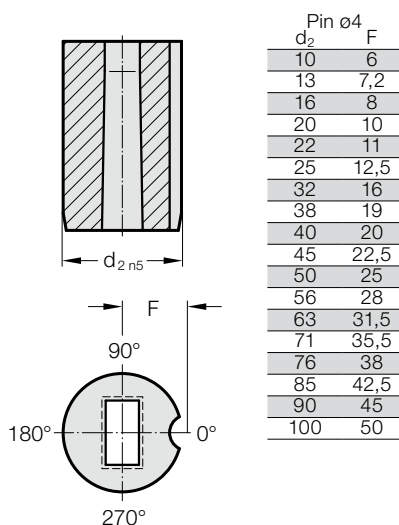
= 26

MATRIXES WITHOUT SHOULDER, AUTOMOTIVE STANDARD, ANTI-ROTATION ELEMENTS

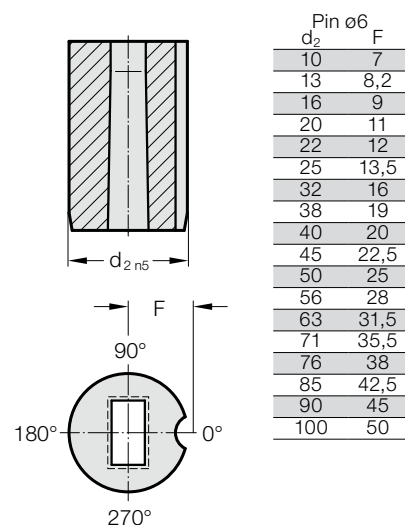
Anti-rotation element 1 (1)



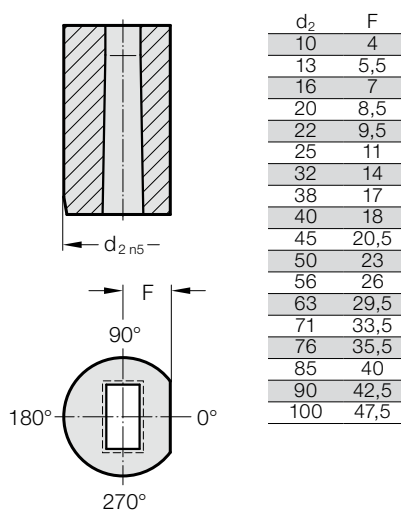
Anti-rotation element 2 (2)



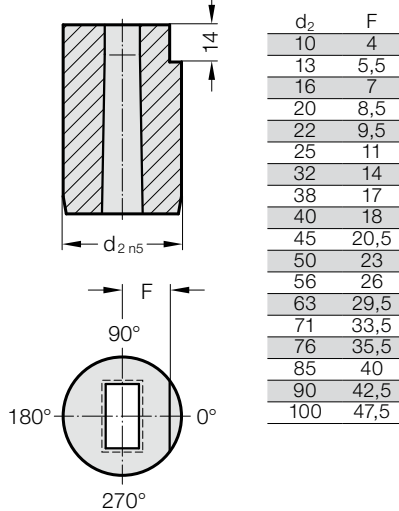
Anti-rotation element 3 (3)



Anti-rotation element 4 (4)



Anti-rotation element 5 (5)



Anti-rotation element 6 (6)

