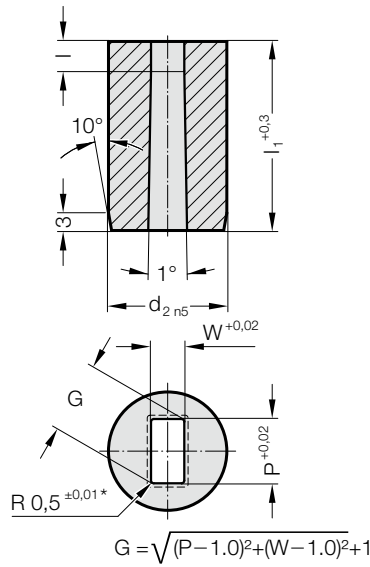


# MATRIX WITHOUT SHOULDER, RECTANGLE WITH RADIUSED CORNERS, AUTOMOTIVE STANDARD



2655.



## 2655. Matrix without shoulder, rectangle with radiused corners, Automotive Standard

d <sub>2</sub> / Order No	W <sub>min</sub>	G <sub>max</sub>	I / Order No	I <sub>1</sub> / (Order Code character)	13	16	20	22	25	28	30	32	35	40
					(A)	(B)	(C)	(D)	(E)	(F)	(G)	(H)	(J)	(K)
10 / (4)	1.3	6.8	3 (2) 4 (3) 5 (4)		●	●	●	●	●	●	●	●	●	●
13 / (5)	1.9	8.8	3 (2) 5 (4) 8 (6)		●	●	●	●	●	●	●	●	●	●
16 / (6)	1.9	10.8	3 (2) 5 (4) 8 (6)				●	●	●	●	●	●	●	●
20 / (7)	1.9	13.6	3 (2) 5 (4) 10 (7)				●	●	●	●	●	●	●	●
22 / (8)	1.9	15	3 (2) 6 (5) 10 (7)				●	●	●	●	●	●	●	●
25 / (9)	1.9	17	3 (2) 6 (5) 10 (7)				●	●	●	●	●	●	●	●
32 / (10)	1.9	22	3 (2) 6 (5) 12 (8)				●	●	●	●	●	●	●	●
38 / (11)	1.9	27	3 (2) 8 (6) 12 (8)				●	●	●	●	●	●	●	●
40 / (12)	1.9	27	3 (2) 8 (6) 12 (8)					●	●	●	●	●	●	●
45 / (13)	2.4	35	3 (2) 8 (6) 12 (8)					●	●	●	●	●	●	●
50 / (14)	4	40	3 (2) 8 (6) 12 (8)					●	●	●	●	●	●	●
56 / (15)	4	45	3 (2) 8 (6) 12 (8)					●	●	●	●	●	●	●
63 / (16)	4	50	3 (2) 8 (6) 12 (8)					●	●	●	●	●	●	●
71 / (17)	4	56	3 (2) 8 (6) 12 (8)					●	●	●	●	●	●	●
76 / (18)	5.6	60	3 (2) 8 (6) 12 (8)						●	●	●	●	●	●
85 / (19)	5.6	66	3 (2) 8 (6) 12 (8)						●	●	●	●	●	●
90 / (20)	5.6	70	3 (2) 8 (6) 12 (8)						●	●	●	●	●	●
100 / (21)	5.6	78	3 (2) 8 (6) 12 (8)						●	●	●	●	●	●

### Material:

HSS  
Hardness 62 ± 2 HRC

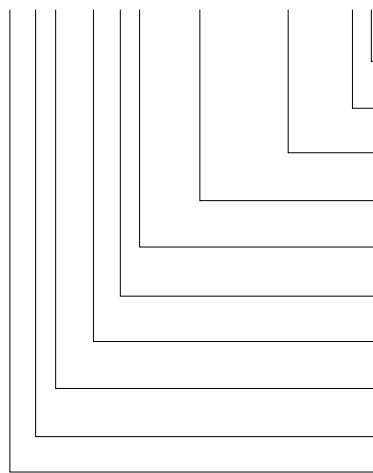
### Execution:

Diameter d<sub>2</sub> and end faces ground.  
Special dimensions on request.

\* For other radius options, see standardised special shapes.

### Ordering Code (example): with anti-rotation element

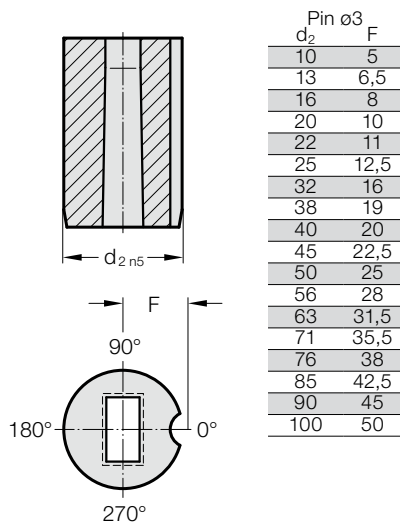
**2655.10F8.1350.0650.A3**



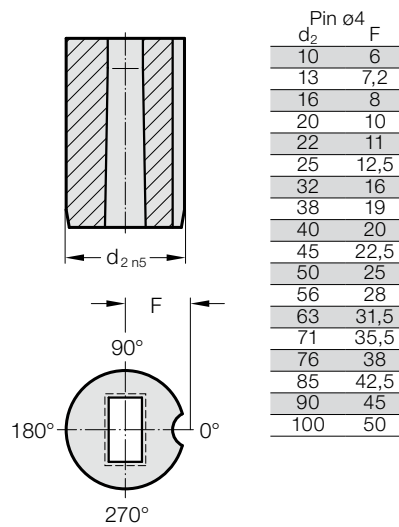
<b>Anti-rotation element:</b> Pin ∅ 6 mm	<b>Order No</b> = (3)
<b>Angle:</b> 0°	<b>Order Code character</b> = (A)
<b>Shape: rectangle with radiused corners, Width W</b> W = 6,5 mm	<b>Order No</b> = (0650)
<b>Shape: rectangle with radiused corners, Length P</b> P = 13,5 mm	<b>Order No</b> = (1350)
<b>Shape cutting length: l</b> 12 mm	<b>Order No</b> = (8)
<b>Length: l<sub>1</sub></b> 28 mm	<b>Order Code character</b> = (F)
<b>Diameter: d<sub>2</sub></b> 32 mm	<b>Order No</b> = (10)
<b>Type: without shoulder</b> Automotive Standard	<b>Order No</b> = (5)
<b>Execution:</b> rectangle with radiused corners	<b>Order No</b> = (5)
<b>Matrixes</b>	<b>Order No</b> = 26

# MATRIXES WITHOUT SHOULDER, AUTOMOTIVE STANDARD, ANTI-ROTATION ELEMENTS

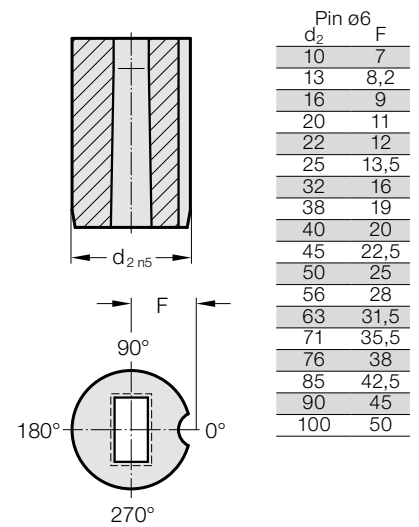
Anti-rotation element 1 (1)



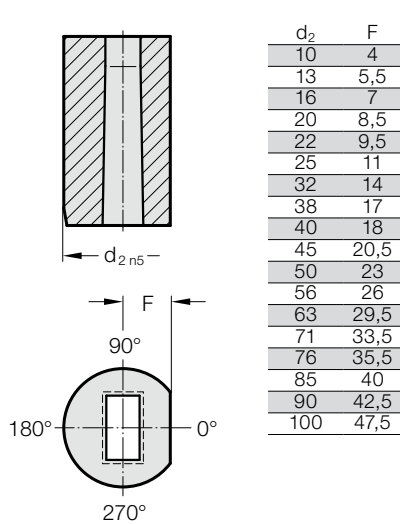
Anti-rotation element 2 (2)



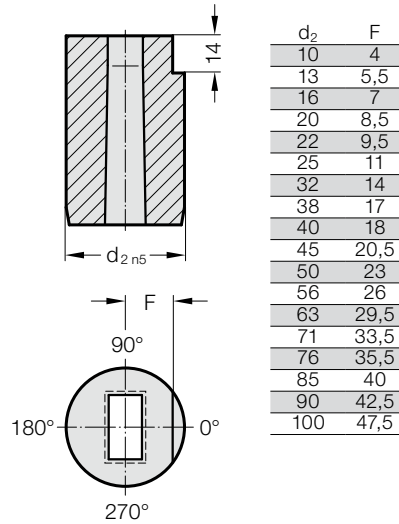
Anti-rotation element 3 (3)



Anti-rotation element 4 (4)



Anti-rotation element 5 (5)



Anti-rotation element 6 (6)

