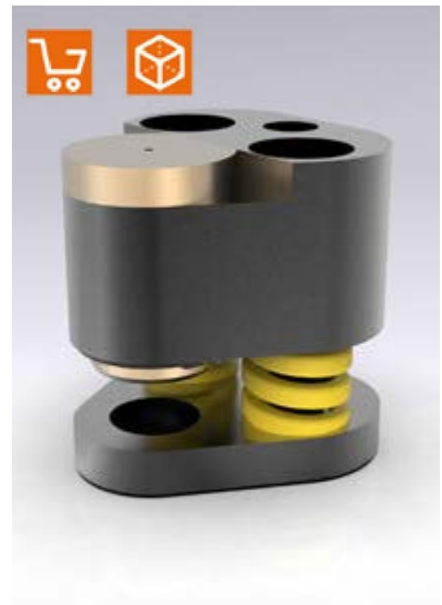
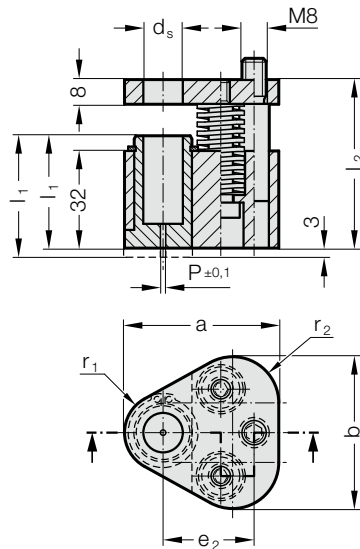


# POLY STRIP STRIPPER UNIT, WITH START BOREHOLE, FOR ISO 8020 PUNCH

2667.□□0□.



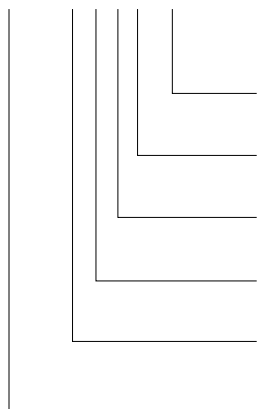
## 2667.xx0x. POLY STRIP stripper unit, with start borehole, for ISO 8020 punch

d <sub>s</sub> / (Order Code character)	P	a	b	e <sub>2</sub>	r <sub>1</sub>	r <sub>2</sub>	l / (Order Code character)	80 (A)	90 (B)	100 (C)	l <sub>1</sub> / (Order Code character)	37 (A)	40 (B)
							l <sub>2</sub>	55.5	65.5	75.5	S <sub>(max)</sub>		
10 / (F)	1.5	44.5	43.7	26.925	9.5	12		●	●	●		●	●
13 / (G)	1.5	50.8	50	29.97	12.7	15.2		●	●	●		●	●
16 / (H)	1.5	54	53.2	31.75	14.3	16.8		●	●	●		●	●
20 / (J)	1.5	60.3	59.5	33.53	17.5	20		●	●	●		●	●
25 / (K)	1.5	69.9	69.1	40.64	22.2	24.7		●	●	●		●	●
32 / (L)	1.5	69.9	69.1	40.64	22.2	24.7		●	●	●		●	●

d <sub>s</sub> / (Order Code character)	Punch length l	80	80	90	90	100	100
	Scraper bush l <sub>1</sub>	37	40	37	40	37	40
	Stripping force max. [N]	1022	884	1280	810	786	1098
10 / (F)		1022	884	1280	810	786	1098
13 / (G)		1022	884	1280	810	786	1098
16 / (H)		2856	1668	3128	1282	1920	2688
20 / (J)		5049	2714	5124	2180	3120	4368
25 / (K)		5049	2714	5124	2180	3120	4368
32 / (L)		5049	2714	5124	2180	3120	4368

### Ordering Code (example):

**2667.FC0A.A**



**Cutting form position:**

0°

**Scraper bush length: l<sub>1</sub>**

Standard

**Cutting form:**

Start borehole

**Punch type/length: l**

ISO / l = 100 mm

**Punch diameter: d<sub>i</sub>**

d<sub>i</sub> = 10 mm

**Stripper unit**  
**POLY STRIP**

**Order Code character**

= (A)

**Order Code character**

= (A)

**Order No**

= (0)

**Order Code character**

= (C)

**Order Code character**

= (F)

= 2667

### Description:

The stripper unit is suitable for use with exterior skin panels.

Use with triangular mounting plate, for punch ISO 8020 2664.02./2664.04.

### Material:

Scraper bush: CuZn25Al5 (no. 2.0598)

Scraper plate: 40CrMnMoS8-6 (no. 1.2312)

Pressure plate: 40CrMnMoS8-6 (no. 1.2312)

### Note:

The stripper unit is available in 2 variants: Standard (A) and Long (B).

Long variant of the stripper unit with 3 mm projecting edge suitable for retrofitting a contour.