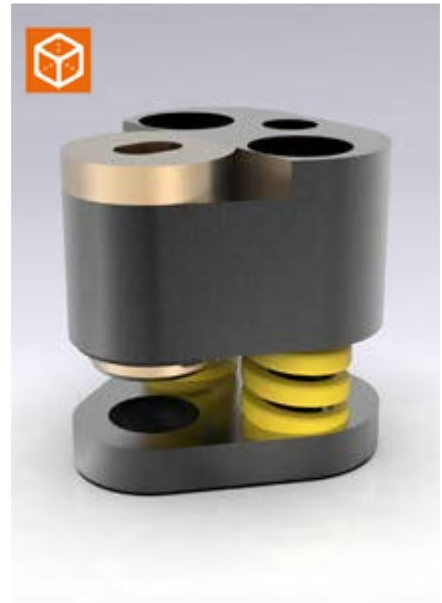
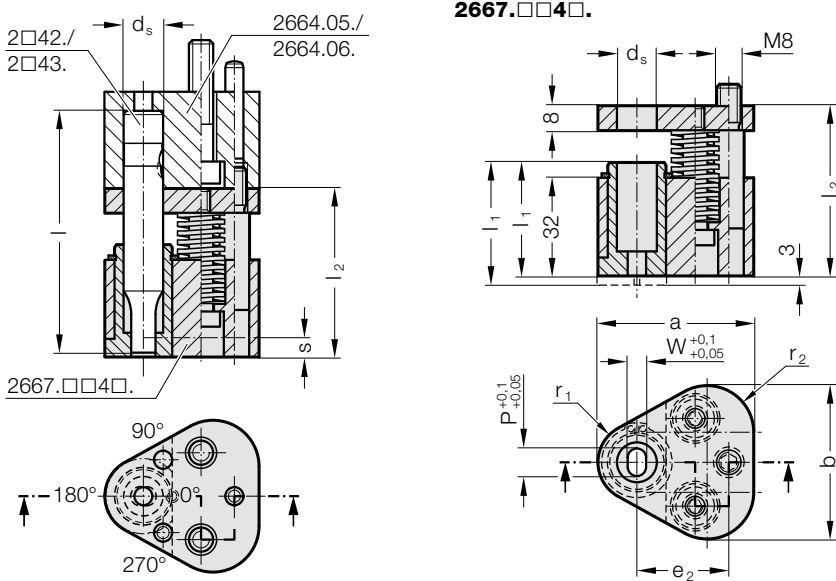


# POLY STRIP STRIPPER UNIT, SLOT, FOR BALL-LOCK PUNCH



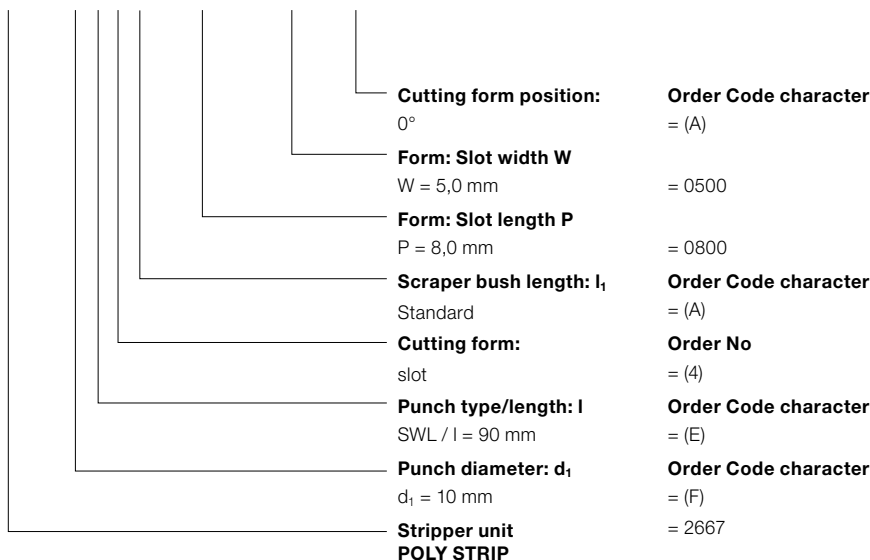
## 2667.xx4x. POLY STRIP stripper unit, slot, for ball-lock punch

d <sub>s</sub> / (Order Code character)	W <sub>min</sub>	G <sub>max</sub>	a	b	e <sub>2</sub>	r <sub>1</sub>	r <sub>2</sub>	Punch type l (Order Code character)	SWL	SWS	SWL	SWS	SWL	l <sub>1</sub> S <sub>(max)</sub>	37	40
									(D)	(G)	(E)	(H)	(F)		(A)	(B)
10 / (F)	1.6	9.9	44.5	43.7	26.925	9.5	12	l <sub>2</sub>	55.5	55.5	65.5	65.5	75.5		●	●
13 / (G)	4.5	12.9	50.8	50	29.97	12.7	15.2		●	●	●	●	●		●	●
16 / (H)	6	15.9	54	53.2	31.75	14.3	16.8		●	●	●	●	●		●	●
20 / (J)	8	19.9	60.3	59.5	33.53	17.5	20		●	●	●	●	●		●	●
25 / (K)	10	24.9	69.9	69.1	40.64	22.2	24.7		●	●	●	●	●		●	●
32 / (L)	12.5	31.9	69.9	69.1	40.64	22.2	24.7		●	●	●	●	●		●	●
38 / (M)	14	37.9	77.4	76	43.9	26	28.5		●	●	●	●	●		●	●
40 / (N)	14	39.9	77.4	76	43.9	26	28.5			●		●			●	●

d <sub>s</sub> / (Order Code character)	Punch type Punch length l <sub>1</sub> Scraper bush l <sub>1</sub>	Stripping force max. [N]	SWL	SWL	SWL	SWL	SWL	SWL	SWS	SWS	SWS	SWS
			080	080	090	090	100	100	090	090	100	100
10 / (F)			1022	884	1280	810	786	1098	1022	884	1280	810
13 / (G)			1022	884	1280	810	786	1098	1022	884	1280	810
16 / (H)			2856	1668	3128	1282	1920	2688	2856	1668	3128	1282
20 / (J)			5049	2714	5124	2180	3120	4368	5049	2714	5124	2180
25 / (K)			5049	2714	5124	2180	3120	4368	5049	2714	5124	2180
32 / (L)			5049	2714	5124	2180	3120	4368	5049	2714	5124	2180
38 / (M)			5049	2714	5124	2180	3120	4368				
40 / (N)									5049	2714	5124	2180

### Ordering Code (example):

**2667.FE4A.0800.0500.A**



### Description:

The brush cleaner unit is suitable for use with exterior skin panels.  
Use with triangular mounting plate, for ball-lock punch 2664.05./06./10.

### Material:

Scraper bush: CuZn25Al5 (no. 2.0598)  
Scraper plate: 40CrMnMoS8-6 (no. 1.2312)  
Pressure plate: 40CrMnMoS8-6 (no. 1.2312)

### Note:

The stripper unit is available in 2 variants: Standard (A) and Long (B).  
Long variant of the stripper unit with 3 mm projecting edge suitable for retrofitting a contour.  
Choose the position of the cutting form in the scraper bush in accordance with the position of the installed punch in the mounting plate.