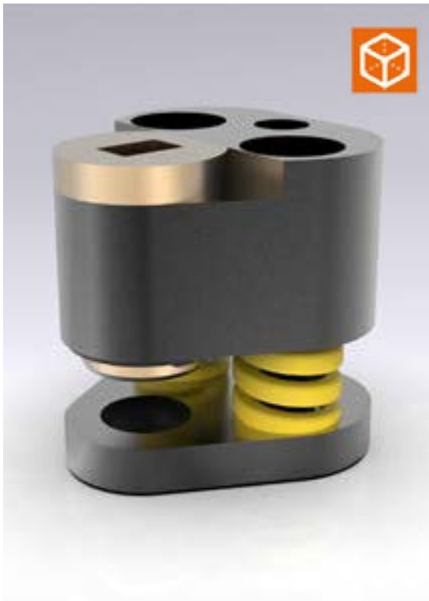
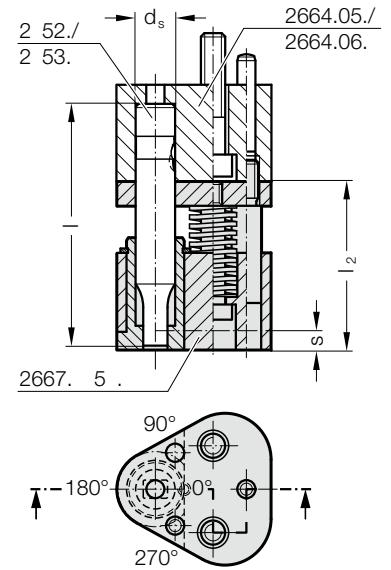
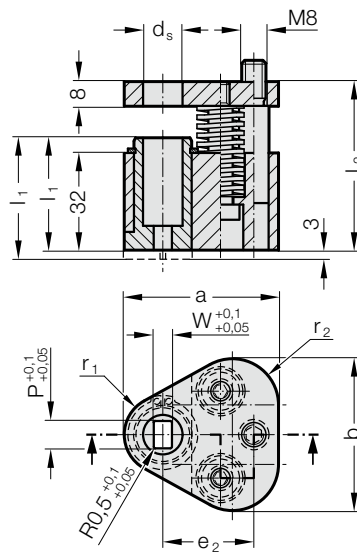


POLY STRIP STRIPPER UNIT, SQUARE WITH RADIUS, FOR BALL-LOCK PUNCH



2667.□□5□.



2667.xx5x. POLY STRIP stripper unit, square with radius, for ball-lock punch

d _s / (Order Code character)	W _{min}	G _{max}	a	b	e ₂	r ₁	r ₂	Punch type l ₂	SWL	SWS	SWL	SWS	SWL	I ₁ (Order Code character) S _(max)	37	40
									(D)	(G)	(E)	(H)	(F)		(A)	(B)
10 / (F)	1.6	9.9	44.5	43.7	26.925	9.5	12	l ₂	80	90	90	100	100		●	●
13 / (G)	4.5	12.9	50.8	50	29.97	12.7	15.2		●	●	●	●	●		●	●
16 / (H)	6	15.9	54	53.2	31.75	14.3	16.8		●	●	●	●	●		●	●
20 / (J)	8	19.9	60.3	59.5	33.53	17.5	20		●	●	●	●	●		●	●
25 / (K)	10	24.9	69.9	69.1	40.64	22.2	24.7		●	●	●	●	●		●	●
32 / (L)	12.5	31.9	69.9	69.1	40.64	22.2	24.7		●	●	●	●	●		●	●
38 / (M)	14	37.9	77.4	76	43.9	26	28.5		●	●	●	●	●		●	●
40 / (N)	14	39.9	77.4	76	43.9	26	28.5			●	●				●	●

d _s / (Order Code character)	Punch type Punch length l ₁ Scraper bush l ₁	SWL	SWL	SWL	SWL	SWL	SWL	SWS	SWS	SWS	SWS
		080	080	090	090	100	100	090	090	100	100
10 / (F)	Stripping force max. [N]	1022	884	1280	810	786	1098	1022	884	1280	810
13 / (G)		1022	884	1280	810	786	1098	1022	884	1280	810
16 / (H)		2856	1668	3128	1282	1920	2688	2856	1668	3128	1282
20 / (J)		5049	2714	5124	2180	3120	4368	5049	2714	5124	2180
25 / (K)		5049	2714	5124	2180	3120	4368	5049	2714	5124	2180
32 / (L)		5049	2714	5124	2180	3120	4368	5049	2714	5124	2180
38 / (M)		5049	2714	5124	2180	3120	4368				
40 / (N)								5049	2714	5124	2180

Description:

The brush cleaner unit is suitable for use with exterior skin panels.
Use with triangular mounting plate, for ball-lock punch 2664.05./06./10.

Material:

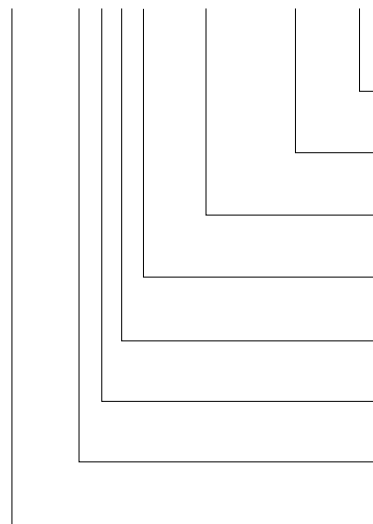
Scraper bush: CuZn25Al5 (no. 2.0598)
Scraper plate: 40CrMnMoS8-6 (no. 1.2312)
Pressure plate: 40CrMnMoS8-6 (no. 1.2312)

Note:

The stripper unit is available in 2 variants:
Standard (A) and Long (B).
Long variant of the stripper unit with 3 mm projecting edge suitable for retrofitting a contour.
Choose the position of the cutting form in the scraper bush in accordance with the position of the installed punch in the mounting plate.

Ordering Code (example):

2667.FE5A.0800.0500.A



- Cutting form position:** Order Code character = (A)
- Shape: rectangle with radiused corners Width W**
W = 5,0 mm = 0500
- Shape: rectangle with radiused corners Length P**
P = 8,0 mm = 0800
- Scraper bush length: l₁** Order Code character = (A)
- Cutting form:** Order No
rectangle with radiused corners = (5)
- Punch type/length: l** Order Code character = (E)
SWL / l = 90 mm
- Punch diameter: d₁** Order Code character = (F)
d₁ = 10 mm
- Stripper unit** Order Code character = 2667
POLY STRIP