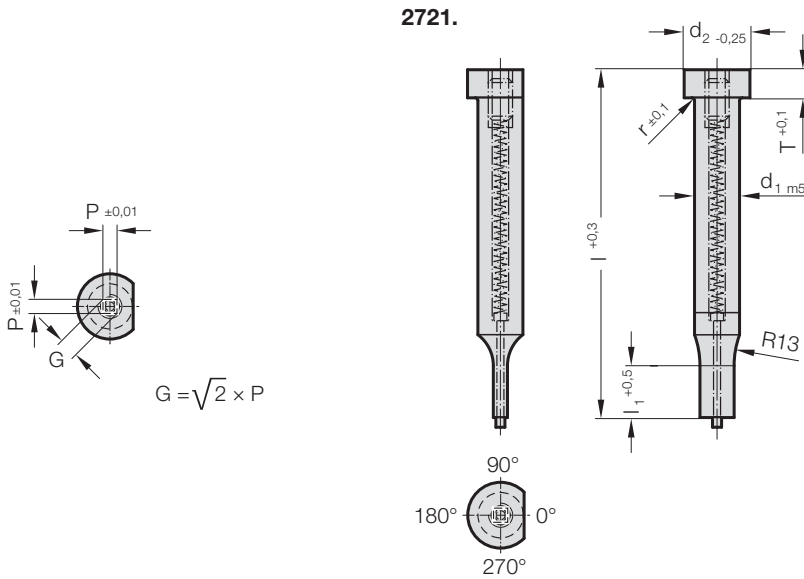


PUNCH, STEPPED, SQUARE, WITH EJECTOR PIN, ISO 8020

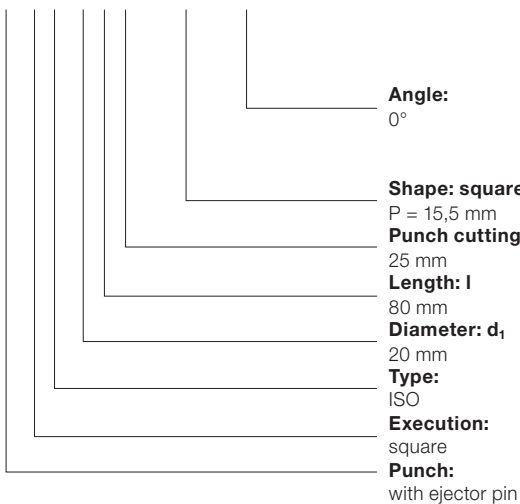


2721. Punch, stepped, square, with ejector pin, ISO 8020

d ₁ / Order No	d ₂	P _{min}	G _{max}	l ₁ / Order No	r	T	l / (Order Code character)	71 (D)	80 (E)	90 (F)	100 (G)	120 (J)
5 / (3)	8	2	4.9	13 (3) 19 (4)	0.3	5		●	●	●	●	●
6 / (4)	9	2.5	5.9	13 (3) 19 (4)	0.3	5		●	●	●	●	●
8 / (5)	11	4	7.9	19 (4) 25 (5)	0.3	5		●	●	●	●	●
10 / (6)	13	4	9.9	19 (4) 25 (5)	0.3	5		●	●	●	●	●
13 / (7)	16	6	12.9	19 (4) 25 (5)	0.4	5		●	●	●	●	●
16 / (8)	19	8	15.9	19 (4) 25 (5)	0.4	5		●	●	●	●	●
20 / (9)	23	10	19.9	19 (4) 25 (5)	0.4	5		●	●	●	●	●
25 / (10)	28	12	24.9	19 (4) 25 (5)	0.4	5		●	●	●	●	●
32 / (11)	35	16	31.9	25 (5) 30 (6)	0.4	5		●	●	●	●	●

Ordering Code (example):

2721.9E5.1550.A



Order Code character
= (A)

= 1550

Order No

= (5)

Order Code character

= (E)

Order No

= (9)

Order No

= (1)

Order No

= (2)

= 27

Material:

HSS

Hardness:

Shaft 64 ± 2 HRC

Head 52 ± 5 HRC

Execution:

Punch head hot upset-forged. Shoulder, shaft and punch shape fine ground.

The anti-rotation surface parallel to P = 0° as standard.

Special dimensions on request.

Note:

With kerf ≤ 0.04 mm, FIBRO rounds off sharp edges if the punch and piercing die bush are ordered together. This reduces the fitting time and the risk of an edge break during operation.