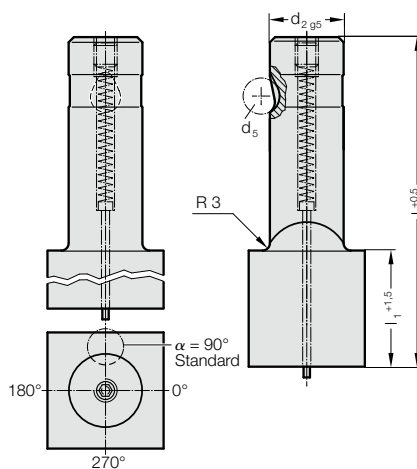
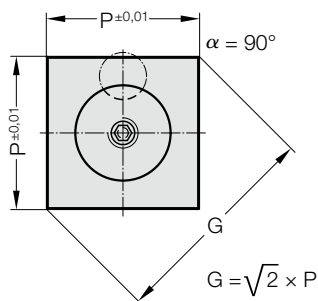


BALL-LOCK PUNCH, PUNCH LARGER THAN SHAFT, SQUARE, WITH EJECTOR PIN, LIGHT DUTY

2724.

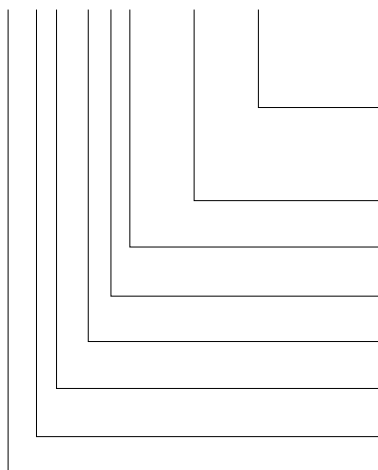


2724. Ball-Lock punch, punch larger than shaft, square, with ejector pin, light duty

d ₂ / Order No	d ₅	P _{min}	G _{max}	l ₁ / Order No	l (Order Code character)	80 (E)	90 (F)	100 (G)
13 / (3)	8	9.19	32	19(2) 30(4)		●	●	●
16 / (4)	8	11.31	38	19(2) 30(4)		●	●	●
20 / (5)	8	14.14	40	19(2) 30(4)		●	●	●
25 / (6)	8	17.68	44	19(2) 30(4)		●	●	●
32 / (7)	8	22.63	50	19(2) 30(4)		●	●	●

Ordering Code (example):

2724.5E2.2828.A



Angle:
0°

Shape: square, Length P
P = 28,28 mm

Punch cutting length: l₁
19 mm

Length: l
80 mm

Diameter: d₂
20 mm

Type:
punch larger, light

Execution:
square

Punch:
with ejector pin

Order Code character
= (A)

= 2828

Order No
= (2)

Order Code character
= (E)

Order No
= (5)

Order No
= (4)

Order No
= (2)

= 27

Material:

HSS

Hardness 62 ± 2 HRC

Execution:

Shaft and punch shape fine ground.
Special dimensions on request.

Note:

With kerf ≤ 0.04 mm, FIBRO rounds off sharp edges if the punch and piercing die bush are ordered together. This reduces the fitting time and the risk of an edge break during operation.