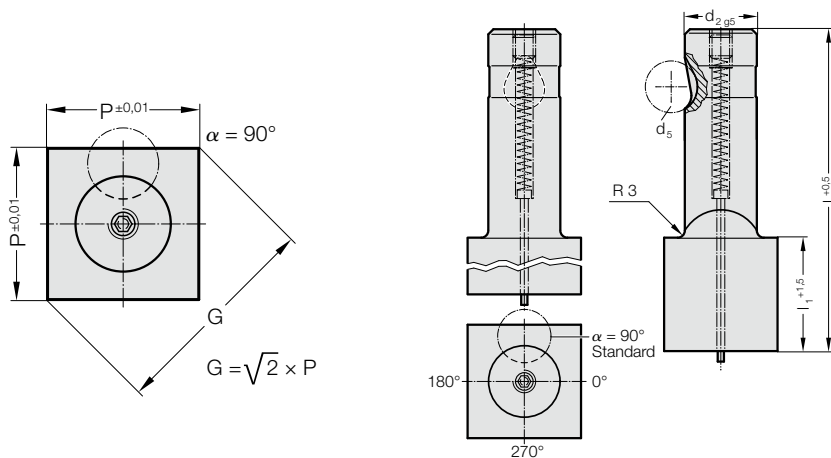


BALL-LOCK PUNCH, PUNCH LARGER THAN SHAFT, SQUARE, WITH EJECTOR PIN, HEAVY DUTY

2725.

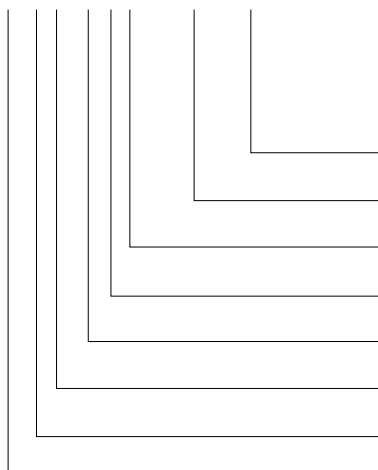


2725. Ball-Lock punch, punch larger than shaft, square, with ejector pin, heavy duty

d ₂ / Order No	d ₅	P _{min}	G _{max}	l ₁ / Order No	l (Order Code character)	80 (E)	90 (F)	100 (G)
13 / (3)	12	9.19	32	19 (2) 30 (4)		●	●	●
16 / (4)	12	11.31	38	19 (2) 30 (4)		●	●	●
20 / (5)	12	14.14	40	19 (2) 30 (4)		●	●	●
25 / (6)	12	17.68	44	19 (2) 30 (4)		●	●	●
32 / (7)	12	22.63	50	19 (2) 30 (4)		●	●	●
40 / (9)	12	28.28	56	19 (2) 30 (4)		●	●	●

Ordering Code (example):

2725.4F4.2450.B



Angle:
90°
Shape: square, Length P
P = 24,5 mm
Punch cutting length: l₁
30 mm
Length: l
90 mm
Diameter: d₂
16 mm
Type:
punch larger, heavy
Execution:
square
Punch:
with ejector pin

Order Code character
= (B)
Order No
= 2450
Order Code character
= (F)
Order No
= (4)
Order No
= (5)
Order No
= (2)
Order No
= 27

Material:

HSS
Hardness 62 ± 2 HRC

Execution:

Shaft and punch shape fine ground.
Special dimensions on request.

Note:

With kerf ≤ 0.04 mm, FIBRO rounds off sharp edges if the punch and piercing die bush are ordered together. This reduces the fitting time and the risk of an edge break during operation.