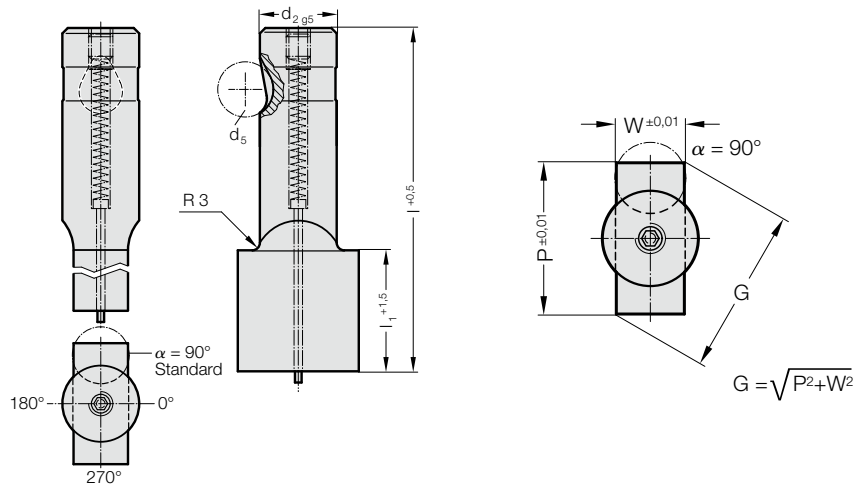


# BALL-LOCK PUNCH, PUNCH LARGER THAN SHAFT, RECTANGULAR, WITH EJECTOR PIN, HEAVY DUTY



2735.



## 2735. Ball-Lock punch, punch larger than shaft, rectangular, with ejector pin, heavy duty

d <sub>2</sub> / Order No	d <sub>5</sub>	W <sub>min</sub>	G <sub>max</sub>	l <sub>1</sub> / Order No	l (Order Code character)	80	90	100
						(E)	(F)	(G)
13 / (3)	12	5	32	19 (2) 30 (4)		●	●	●
16 / (4)	12	6.5	38	19 (2) 30 (4)		●	●	●
20 / (5)	12	8	40	19 (2) 30 (4)		●	●	●
25 / (6)	12	10	44	19 (2) 30 (4)		●	●	●
32 / (7)	12	11.5	50	19 (2) 30 (4)		●	●	●
40 / (9)	12	14	56	19 (2) 30 (4)		●	●	●

### Material:

HSS  
Hardness 62 ± 2 HRC

### Execution:

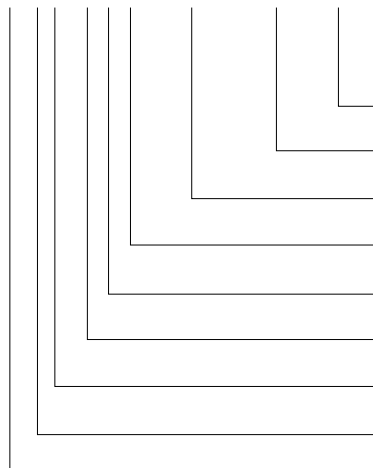
Shaft and punch shape fine ground.  
Special dimensions on request.

### Note:

With kerf ≤ 0.04 mm, FIBRO rounds off sharp edges if the punch and piercing die bush are ordered together. This reduces the fitting time and the risk of an edge break during operation.

### Ordering Code (example):

**2735.4F4.1420.1150.B**



### Angle:

90°

### Shape: rectangular, Width W

W = 11,5 mm

### Shape: rectangular, Length P

P = 14,2 mm

### Punch cutting length: l<sub>1</sub>

30 mm

### Length: l

90 mm

### Diameter: d<sub>2</sub>

16 mm

### Type:

punch larger, heavy

### Execution:

rectangular

### Punch:

with ejector pin

### Order Code character

= (B)

= 1150

= 1420

### Order No

= (4)

### Order Code character

= (F)

### Order No

= (4)

### Order No

= (5)

### Order No

= (3)

= 27