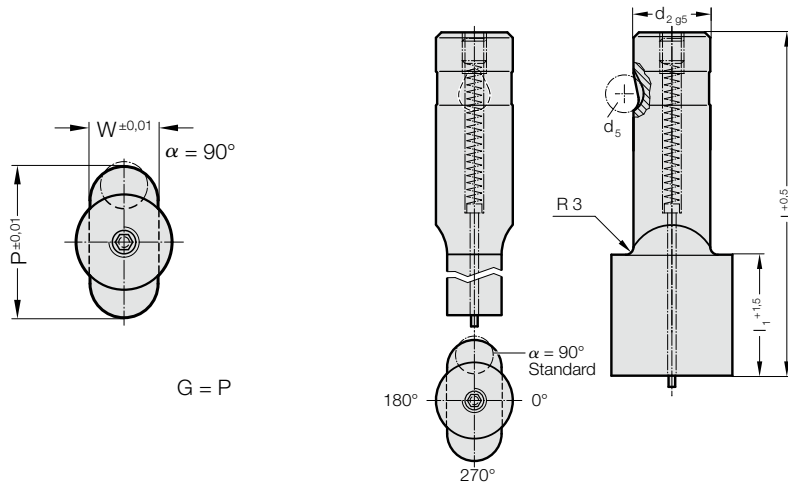


BALL-LOCK PUNCH, PUNCH LARGER THAN SHAFT, SLOT, WITH EJECTOR PIN, LIGHT DUTY

2744.

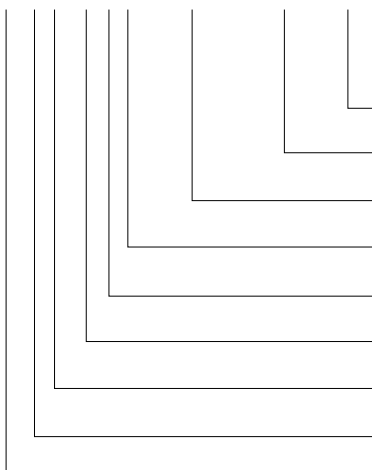


2744. Ball-Lock punch, punch larger than shaft, slot, with ejector pin, light duty

d ₂ / Order No	d ₅	W _{min}	G _{max}	l ₁ / Order No	l (Order Code character)	80	90	100
						(E)	(F)	(G)
13 / (3)	8	5	32	19(2) 30(4)		●	●	●
16 / (4)	8	6.5	38	19(2) 30(4)		●	●	●
20 / (5)	8	8	40	19(2) 30(4)		●	●	●
25 / (6)	8	10	44	19(2) 30(4)		●	●	●
32 / (7)	8	11.5	50	19(2) 30(4)		●	●	●

Ordering Code (example):

2744.7F2.3820.1150.B



Angle:
90°
Shape: slot, Width W
W = 11,5 mm
Shape: slot, Length P
P = 38,2 mm
Punch cutting length: l₁
19 mm
Length: l
90 mm
Diameter: d₂
32 mm
Type:
punch larger, light
Execution:
slot
Punch:
with ejector pin

Order Code character
= (B)
= 1150
= 3820
Order No
= (2)
Order Code character
= (F)
Order No
= (7)
Order No
= (4)
Order No
= (4)
= 27

Material:

HSS
Hardness 62 ± 2 HRC

Execution:

Shaft and punch shape fine ground.
Special dimensions on request.