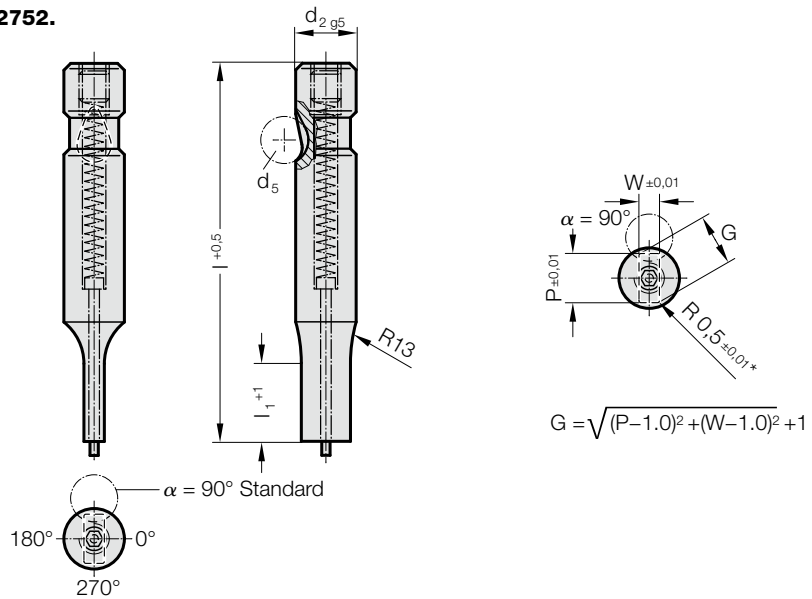


BALL-LOCK PUNCH, STEPPED, RECTANGLE WITH RADIUSSED CORNERS, WITH EJECTOR PIN, LIGHT DUTY



2752.



2752. Ball-Lock punch, stepped, rectangle with radiused corners, with ejector pin, light duty

d ₂ / Order No	d ₅	W _{min}	G _{max}	l ₁ / Order No	l (Order Code character)	63 (C)	71 (D)	80 (E)	90 (F)	100 (G)
6 / (1)	6	2.5	5.9	13(1)		●	●	●	●	●
10 / (2)	8	4	9.9	13(1) 19(2)		●	●	●	●	●
13 / (3)	8	6	12.9	13(1) 19(2)		●	●	●	●	●
16 / (4)	8	8	15.9	13(1) 19(2) 25(3)		●	●	●	●	●
20 / (5)	8	10	19.9	13(1) 19(2) 25(3)		●	●	●	●	●
25 / (6)	8	12	24.9	13(1) 19(2) 25(3)		●	●	●	●	●
32 / (7)	8	16	31.9	13(1) 19(2) 25(3)			●	●	●	●
38 / (8)	8	19	37.9	19(2) 25(3) 30(4)				●	●	●

Material:

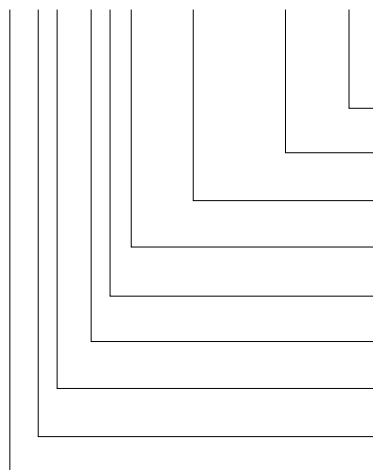
HSS
Hardness 62 ± 2 HRC

Execution:

Shaft and punch shape fine ground.
Special dimensions on request.
* For other radius options, see standardised special shapes.

Ordering Code (example):

2752.2F1.0650.0450.B



Angle: 90°
Shape: rectangle with radiused corners, Width W = 4,5 mm
Shape: rectangle with radiused corners, Length P = 6,5 mm
Punch cutting length: l₁ = 13 mm
Length: l = 90 mm
Diameter: d₂ = 10 mm
Type: light
Execution: rectangle with radiused corners
Punch: with ejector pin

Order Code character = (B)
Order No = 0450
Order Code character = (F)
Order No = 0650
Order Code character = (1)
Order No = 13
Order Code character = (2)
Order No = 10
Order Code character = (2)
Order No = 27