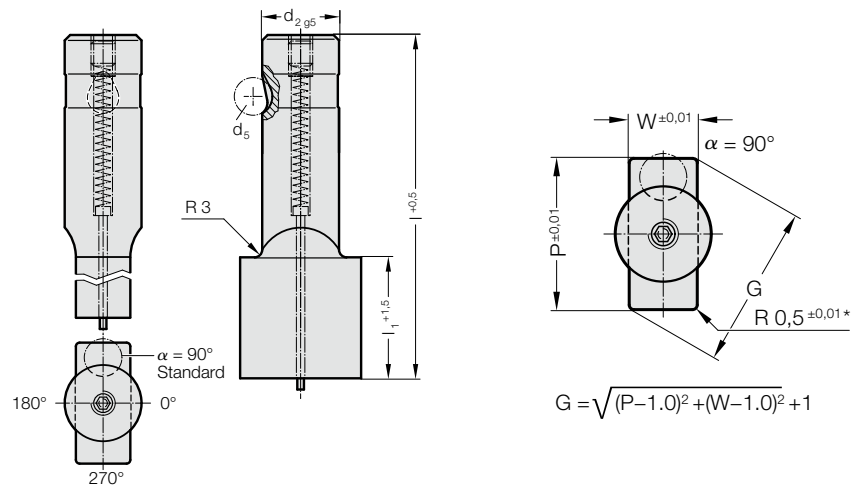


BALL-LOCK PUNCH, PUNCH LARGER THAN SHAFT, RECTANGLE WITH RADIUSSED CORNERS, WITH EJECTOR PIN, LIGHT DUTY



2754.



2754. Ball-Lock punch, punch larger than shaft, rectangle with radiussed corners, with ejector pin, light duty

d ₂ / Order No	d ₅	W _{min}	G _{max}	l ₁ / Order No	l (Order Code character)	80 (E)	90 (F)	100 (G)
13 / (3)	8	5	32	19(2) 30(4)		●	●	●
16 / (4)	8	6.5	38	19(2) 30(4)		●	●	●
20 / (5)	8	8	40	19(2) 30(4)		●	●	●
25 / (6)	8	10	44	19(2) 30(4)		●	●	●
32 / (7)	8	11.5	50	19(2) 30(4)		●	●	●

Material:

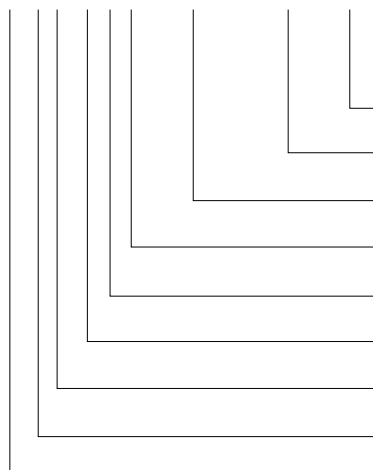
HSS
Hardness 62 ± 2 HRC

Execution:

Shaft and punch shape fine ground.
Special dimensions on request.
* For other radius options, see standardised special shapes.

Ordering Code (example):

2754.7F2.3820.1150.B



Angle: 90°
Shape: rectangle with radiussed corners, Width W = 11,5 mm
Shape: rectangle with radiussed corners, Length P = 38,2 mm
Punch cutting length: l₁ = 19 mm
Length: l = 90 mm
Diameter: d₂ = 32 mm
Type: punch larger, light
Execution: rectangle with radiussed corners
Punch: with ejector pin

Order Code character = (B)
Order No = 1150
Order Code character = (F)
Order No = 3820
Order Code character = (2)
Order No = 19
Order Code character = (7)
Order No = 32
Order Code character = (4)
Order No = 7
Order Code character = (5)
Order No = 1150
Order Code character = (B)