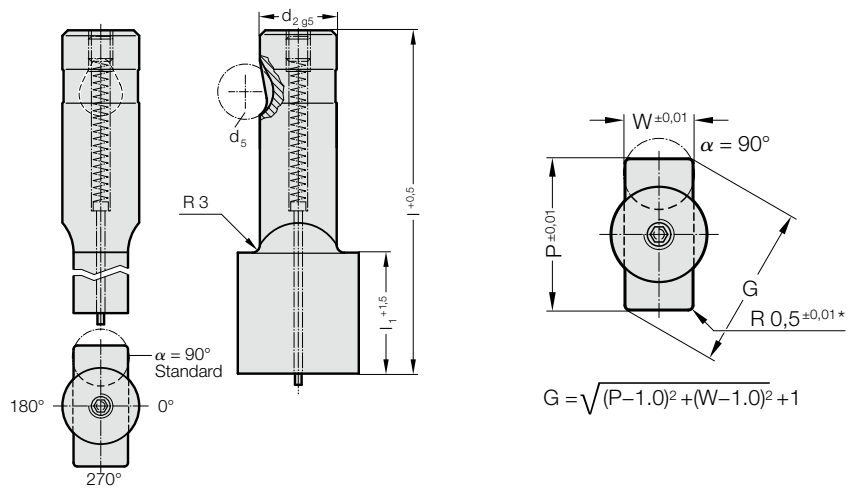


BALL-LOCK PUNCH, PUNCH LARGER THAN SHAFT, RECTANGLE WITH RADIUSSED CORNERS, WITH EJECTOR PIN, HEAVY DUTY



2755.



2755. Ball-Lock punch, punch larger than shaft, rectangle with radiussed corners, with ejector pin, heavy duty

d ₂ / Order No	d ₅	W _{min}	G _{max}	l ₁ / Order No	l (Order Code character)	80 (E)	90 (F)	100 (G)
13 / (3)	12	5	32	19 (2) 30 (4)		●	●	●
16 / (4)	12	6.5	38	19 (2) 30 (4)		●	●	●
20 / (5)	12	8	40	19 (2) 30 (4)		●	●	●
25 / (6)	12	10	44	19 (2) 30 (4)		●	●	●
32 / (7)	12	11.5	50	19 (2) 30 (4)		●	●	●
40 / (9)	12	14	56	19 (2) 30 (4)		●	●	●

Material:

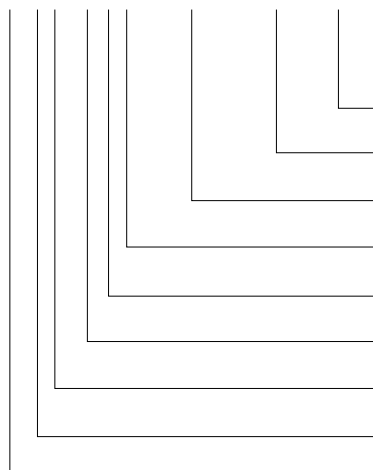
HSS
Hardness 62 ± 2 HRC

Execution:

Shaft and punch shape fine ground.
Special dimensions on request.
* For other radius options, see standardised special shapes.

Ordering Code (example):

2755.3F2.1215.1150.B



Angle:

90°

Shape: rectangle with radiussed corners, Width W
W = 11,5 mm

Shape: rectangle with radiussed corners, Length P
P = 12,15 mm

Punch cutting length: l₁
19 mm

Length: l

90 mm

Diameter: d₂

13 mm

Type:

punch larger, heavy

Execution:

rectangle with radiussed corners

Punch:

with ejector pin

Order Code character
= (B)

Order Code character
= 1150

Order Code character
= 1215

Order No
= (2)

Order Code character
= (F)

Order No
= (3)

Order No
= (5)

Order No
= (5)

Order No
= 27