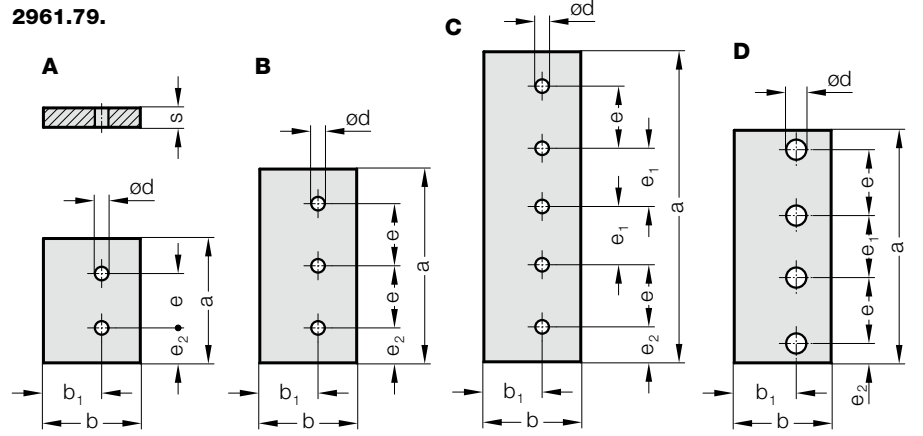


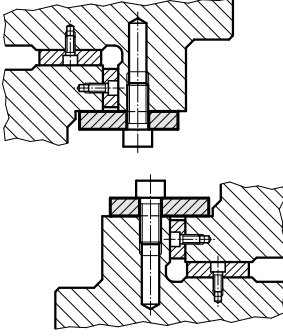
SÜRTÜNME PLAKASI, ÇELİK, VDI 3357



2961.79.



Montaj Örneği



Malzeme:

Çelik, yüzeysel sertleştirilmiş

Not:

Civatalar dahil değildir.

Sabitleme:

Soket başlı vida kullanınız

DIN EN ISO 4762.

2961.79. Sürtünme Plakası, Çelik, VDI 3357

Sipariş No.	Şekil	b	s	a	b ₁	d	e	e ₁	e ₂	Vida Deliği adedi
2961.79.035.10.160	A	35	10	160	20	11	70	-	45	2
2961.79.035.10.200	A	35	10	200	20	11	110	-	45	2
2961.79.035.10.250	B	35	10	250	20	11	80	-	45	3
2961.79.045.15.160	A	45	15	160	30	13,5	70	-	45	2
2961.79.045.15.200	A	45	15	200	30	13,5	110	-	45	2
2961.79.045.15.250	B	45	15	250	30	13,5	80	-	45	3
2961.79.055.15.160	A	55	15	160	35	17,5	70	-	45	2
2961.79.055.15.200	A	55	15	200	35	17,5	110	-	45	2
2961.79.055.15.250	B	55	15	250	35	17,5	80	-	45	3
2961.79.075.25.160	A	75	25	160	40	17,5	70	-	45	2
2961.79.075.25.200	A	75	25	200	40	17,5	110	-	45	2
2961.79.075.25.250	B	75	25	250	40	17,5	80	-	45	3
2961.79.085.28.240	B	85	28	240	60	22	95	-	25	3
2961.79.085.28.300	D	85	28	300	60	22	85	80	25	4
2961.79.085.28.350	D	85	28	350	60	22	100	100	25	4
2961.79.085.28.400	D	85	28	400	60	22	115	120	25	4
2961.79.085.28.450	C	85	28	450	60	22	100	100	25	5
2961.79.085.30.160	A	85	30	160	60	22	70	-	45	2
2961.79.085.30.200	A	85	30	200	60	22	110	-	45	2
2961.79.085.30.250	B	85	30	250	60	22	80	-	45	3
2961.79.085.30.300	B	85	30	300	60	22	105	-	45	3
2961.79.085.30.350	B	85	30	350	60	22	130	-	45	3
2961.79.085.30.400	C	85	30	400	60	22	80	75	45	5
2961.79.100.25.160	A	100	25	160	60	17,5	70	-	45	2
2961.79.100.25.200	A	100	25	200	60	17,5	110	-	45	2
2961.79.100.25.250	B	100	25	250	60	17,5	80	-	45	3
2961.79.100.25.400	C	100	25	400	60	17,5	80	75	45	5
2961.79.100.30.160	A	100	30	160	60	22	70	-	45	2
2961.79.100.30.200	A	100	30	200	60	22	110	-	45	2
2961.79.100.30.250	B	100	30	250	60	22	80	-	45	3
2961.79.100.30.400	C	100	30	400	60	22	80	75	45	5
2961.79.125.25.160	A	125	25	160	75	17,5	70	-	45	2
2961.79.125.25.200	A	125	25	200	75	17,5	110	-	45	2
2961.79.125.25.250	B	125	25	250	75	17,5	80	-	45	3
2961.79.125.25.400	C	125	25	400	75	17,5	80	75	45	5
2961.79.125.25.300	D	125	25	300	80	26	85	80	25	4
2961.79.125.25.350	D	125	25	350	80	26	100	100	25	4
2961.79.125.25.400.1	D	125	25	400	80	26	115	120	25	4
2961.79.125.25.450	C	125	25	450	80	26	100	100	25	5
2961.79.125.25.500	C	125	25	500	80	26	110	115	25	5
2961.79.125.30.160	A	125	30	160	75	22	70	-	45	2
2961.79.125.30.200	A	125	30	200	75	22	110	-	45	2
2961.79.125.30.250	B	125	30	250	75	22	80	-	45	3
2961.79.125.30.300	B	125	30	300	75	22	105	-	45	3
2961.79.125.30.350	B	125	30	350	75	22	130	-	45	3
2961.79.125.30.400	C	125	30	400	75	22	80	75	45	5
2961.79.125.30.450	C	125	30	450	75	22	80	95	50	5
2961.79.125.30.500	C	125	30	500	75	22	80	120	50	5