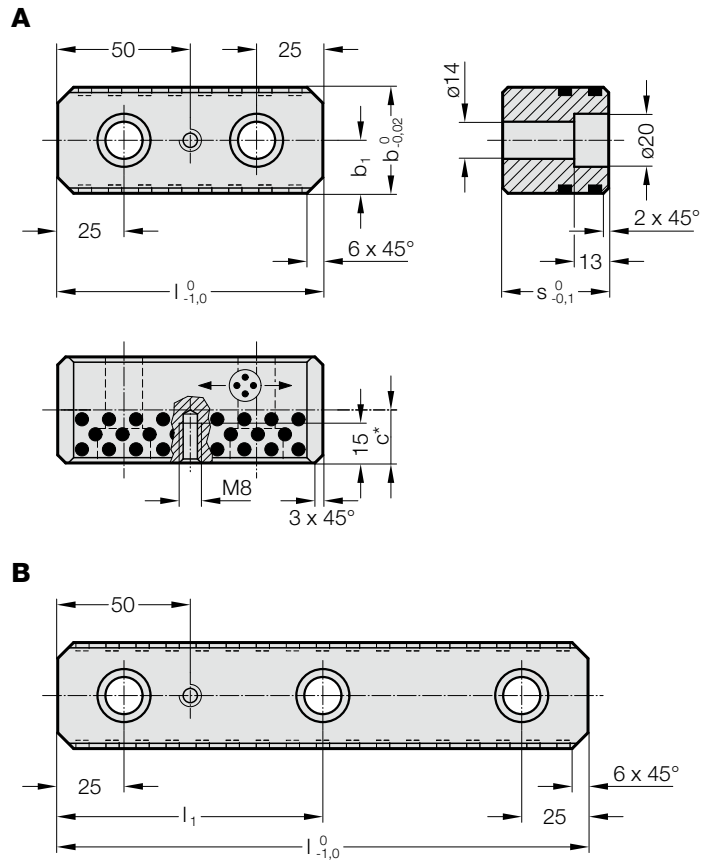


# SLIDE CENTRE GUIDE, BRONZE WITH SOLID LUBRICANT



2966.72.



## Material:

Bronze with solid lubricant, oilless lubricating

## Note:

Screws are not included.

## Fixing:

Use socket cap screws  
DIN EN ISO 4762 M12.



## 2966.72. Slide centre guide, Bronze with solid lubricant

Order No	Shape	b	l	s	b <sub>1</sub>	l <sub>1</sub>	c*	Number of screw holes
2966.72.030.100.030	A	30	100	30	15	-	18	2
2966.72.030.150.030	A	30	150	30	15	-	18	2
2966.72.030.200.030	B	30	200	30	15	100	18	3
2966.72.030.250.030	B	30	250	30	15	125	18	3
2966.72.030.300.030	B	30	300	30	15	150	18	3
2966.72.030.350.030	B	30	350	30	15	175	18	3
2966.72.040.100.030	A	40	100	30	20	-	18	2
2966.72.040.150.030	A	40	150	30	20	-	18	2
2966.72.040.200.030	B	40	200	30	20	100	18	3
2966.72.040.250.030	B	40	250	30	20	125	18	3
2966.72.040.300.030	B	40	300	30	20	150	18	3
2966.72.040.350.030	B	40	350	30	20	175	18	3
2966.72.040.100.040	A	40	100	40	20	-	20	2
2966.72.040.150.040	A	40	150	40	20	-	20	2
2966.72.040.200.040	B	40	200	40	20	100	20	3
2966.72.040.250.040	B	40	250	40	20	125	20	3
2966.72.040.300.040	B	40	300	40	20	150	20	3
2966.72.040.350.040	B	40	350	40	20	175	20	3

\*Solid lubricant area