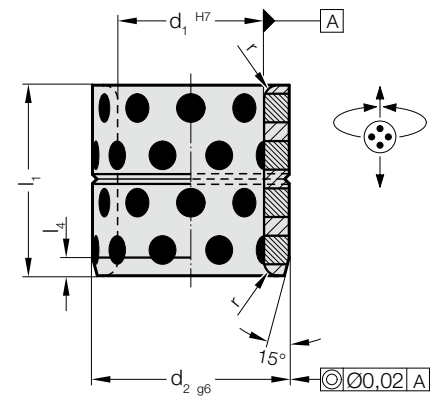


# 导套，带固态润滑剂的青铜



3120.70.



**材料:**

带固态润滑剂的铜, 易维护

**说明:**

轴套可以在径向和轴向使用。

☞ 安装说明/尺寸及公差要求见D章最后。

**固定件:**

粘贴或必要时使用螺杆或带法兰头的螺栓 2192.61. 加固。

3120.70. 导套，带固态润滑剂的青铜

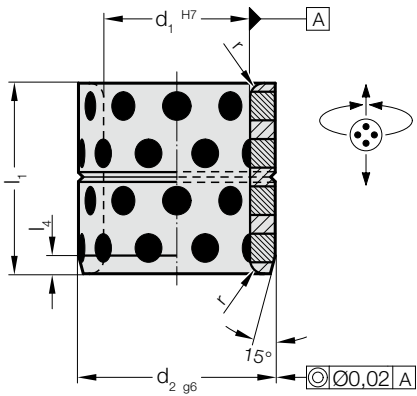
d <sub>1</sub>	8	10	10	12	13	14	15	16	18	20	20	20	24	25	25	25	28	30	30	30	31.5	32	35	35	38	40	40	
d <sub>2</sub>	12	14	15	18	19	20	21	22	24	26	28	30	32	32	33	35	38	38	40	42	40	42	44	45	48	50	55	
r	0.5	0.5	0.5	0.5	0.5	0.5	0.75	0.75	0.75	0.75	0.75	0.75	0.75	0.75	0.75	0.75	0.75	0.75	0.75	0.75	0.75	0.75	0.75	0.75	1.5	1.5	1.5	
l <sub>4</sub>	2	2	2	2	2	2	2	2	2	4	4	4	4	4	4	4	4	4	4	4	4	4	4	4	4	4	4	
l <sub>1</sub>	8	10	10	12	13	14	15	16	18	20	20	20	24	25	25	25	28	30	30	30	31.5	32	35	35	38	40	40	
10	●	●	●	●	●	●	●	●	●	●	●	●	●	●	●	●	●	●	●	●	●	●	●	●	●	●	●	●
12	●	●	●	●	●	●	●	●	●	●	●	●	●	●	●	●	●	●	●	●	●	●	●	●	●	●	●	●
15	●	●	●	●	●	●	●	●	●	●	●	●	●	●	●	●	●	●	●	●	●	●	●	●	●	●	●	●
16	●	●	●	●	●	●	●	●	●	●	●	●	●	●	●	●	●	●	●	●	●	●	●	●	●	●	●	●
20	●	●	●	●	●	●	●	●	●	●	●	●	●	●	●	●	●	●	●	●	●	●	●	●	●	●	●	●
25	●	●	●	●	●	●	●	●	●	●	●	●	●	●	●	●	●	●	●	●	●	●	●	●	●	●	●	●
30	●	●	●	●	●	●	●	●	●	●	●	●	●	●	●	●	●	●	●	●	●	●	●	●	●	●	●	●
35	●	●	●	●	●	●	●	●	●	●	●	●	●	●	●	●	●	●	●	●	●	●	●	●	●	●	●	●
37	●	●	●	●	●	●	●	●	●	●	●	●	●	●	●	●	●	●	●	●	●	●	●	●	●	●	●	●
40	●	●	●	●	●	●	●	●	●	●	●	●	●	●	●	●	●	●	●	●	●	●	●	●	●	●	●	●
47	●	●	●	●	●	●	●	●	●	●	●	●	●	●	●	●	●	●	●	●	●	●	●	●	●	●	●	●
50	●	●	●	●	●	●	●	●	●	●	●	●	●	●	●	●	●	●	●	●	●	●	●	●	●	●	●	●
60	●	●	●	●	●	●	●	●	●	●	●	●	●	●	●	●	●	●	●	●	●	●	●	●	●	●	●	●
70	●	●	●	●	●	●	●	●	●	●	●	●	●	●	●	●	●	●	●	●	●	●	●	●	●	●	●	●
77	●	●	●	●	●	●	●	●	●	●	●	●	●	●	●	●	●	●	●	●	●	●	●	●	●	●	●	●
80	●	●	●	●	●	●	●	●	●	●	●	●	●	●	●	●	●	●	●	●	●	●	●	●	●	●	●	●

**订购示例:**

导套, 带固态润滑剂的青铜	= 3120.70.
导向装置直径 d <sub>1</sub>	40 mm = 040.
外径 d <sub>2</sub>	55 mm = 055.
安装长度 l <sub>1</sub>	25 mm = 025
订购编号	= 3120.70.040.055.025

# 导套，带固态润滑剂的青铜

3120.70.



材料：  
带固态润滑剂的铜，易维护

固定件：  
粘贴或必要时使用螺杆或带法兰头的螺栓 2192.61. 加固。

说明：  
轴套可以在径向和轴向使用。  
☞ 安装说明/尺寸及公差要求见D章最后。

## 3120.70. 导套，带固态润滑剂的青铜

d <sub>1</sub>	45	45	45	50	50	50	55	60	60	63	65	70	70	75	75	80	80	85	90	100	110	120	125	130	140	150	160																
d <sub>2</sub>	55	56	60	60	62	65	70	74	75	75	80	85	90	90	95	96	100	100	110	120	130	140	145	150	160	170	180																
r	1.5	1.5	1.5	1.5	1.5	1.5	2	2	2	2	2	2	2	2	2	2	2	2	2	2	2	2	2	2	2	2	2																
l <sub>4</sub>	4	4	4	4	4	4	4	4	4	4	4	4	4	4	4	4	4	4	4	4	4	4	4	4	4	4	4																
l <sub>1</sub>																																											
30	●	●	●	●	●	●		●	●																																		
35	●	●	●	●	●			●	●			●																															
40	●	●	●	●	●	●	●	●	●			●					●	●																									
50	●	●	●	●	●	●	●	●	●			●		●			●	●																									
60	●	●	●	●	●	●	●	●	●	●	●	●	●	●	●	●	●	●	●	●	●	●	●	●	●	●	●	●	●														
70		●	●	●	●	●	●	●	●	●	●	●	●	●	●	●	●	●	●	●	●	●	●	●	●	●	●	●															
80		●	●		●	●	●	●	●	●	●	●	●	●	●	●	●	●	●	●	●	●	●	●	●	●	●	●															
95			●																																								
100				●			●				●			●			●	●		●	●	●	●	●	●	●	●																
120											●						●	●		●	●	●	●	●	●	●	●																
130																				●	●	●	●	●	●	●	●																
140																					●	●	●	●	●	●	●																
150																										●	●																

订购示例:

导套, 带固态润滑剂的青铜	=	3120.70.
导向装置直径 d <sub>1</sub>	40 mm =	040.
外径 d <sub>2</sub>	55 mm =	055.
安装长度 l <sub>1</sub>	25 mm =	025
订购编号	=	3120.70.040. 055. 025