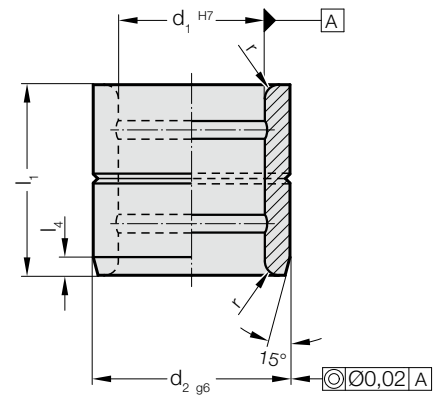


导套, 青铜



3120.71.



材料:

青铜

说明:

轴套可以在径向和轴向使用。

☞ 安装说明/尺寸及公差要求见D章最后。

固定件:

粘贴或必要时使用螺杆或带法兰头的螺栓 2192.61. 加固。

3120.71. 导套, 青铜

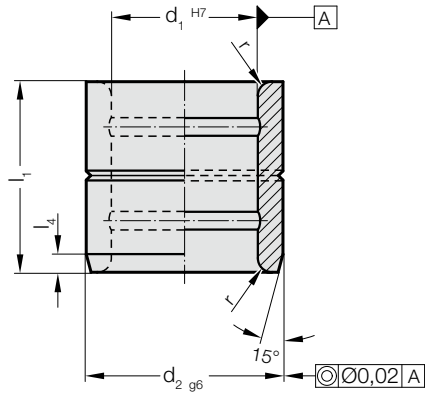
| | | | | | | | | | | | | | | | | | | | | | | | | | | | |
|----------------|-----|-----|-----|-----|-----|-----|------|------|------|------|------|------|------|------|------|------|------|------|------|------|------|------|------|------|-----|-----|-----|
| d ₁ | 8 | 10 | 10 | 12 | 13 | 14 | 15 | 16 | 18 | 20 | 20 | 20 | 24 | 25 | 25 | 25 | 28 | 30 | 30 | 30 | 31.5 | 32 | 35 | 35 | 38 | 40 | 40 |
| d ₂ | 12 | 14 | 15 | 18 | 19 | 20 | 21 | 22 | 24 | 26 | 28 | 30 | 32 | 32 | 33 | 35 | 38 | 38 | 40 | 42 | 40 | 42 | 44 | 45 | 48 | 50 | 55 |
| r | 0.5 | 0.5 | 0.5 | 0.5 | 0.5 | 0.5 | 0.75 | 0.75 | 0.75 | 0.75 | 0.75 | 0.75 | 0.75 | 0.75 | 0.75 | 0.75 | 0.75 | 0.75 | 0.75 | 0.75 | 0.75 | 0.75 | 0.75 | 0.75 | 1.5 | 1.5 | 1.5 |
| l ₄ | 2 | 2 | 2 | 2 | 2 | 2 | 2 | 2 | 2 | 4 | 4 | 4 | 4 | 4 | 4 | 4 | 4 | 4 | 4 | 4 | 4 | 4 | 4 | 4 | 4 | 4 | 4 |
| l ₁ | | | | | | | | | | | | | | | | | | | | | | | | | | | |
| 8 | ● | ● | | | | | | | | | | | | | | | | | | | | | | | | | |
| 10 | ● | ● | ● | ● | ● | ● | ● | ● | | | | | | | | | | | | | | | | | | | |
| 12 | ● | ● | | ● | ● | ● | ● | ● | | | | | | | | | | | | | | | | | | | |
| 15 | ● | ● | | ● | ● | ● | ● | ● | ● | | | | | | | | | | | | | | | | | | |
| 16 | | | | ● | ● | ● | ● | ● | ● | ● | ● | ● | ● | ● | ● | ● | ● | ● | ● | ● | ● | ● | ● | ● | ● | ● | ● |
| 20 | | ● | | ● | ● | ● | ● | ● | ● | ● | ● | ● | ● | ● | ● | ● | ● | ● | ● | ● | ● | ● | ● | ● | ● | ● | ● |
| 25 | | | | ● | ● | ● | ● | ● | ● | ● | ● | ● | ● | ● | ● | ● | ● | ● | ● | ● | ● | ● | ● | ● | ● | ● | ● |
| 30 | | | | ● | ● | ● | ● | ● | ● | ● | ● | ● | ● | ● | ● | ● | ● | ● | ● | ● | ● | ● | ● | ● | ● | ● | ● |
| 35 | | | | | | | | ● | ● | ● | ● | ● | ● | ● | ● | ● | ● | ● | ● | ● | ● | ● | ● | ● | ● | ● | ● |
| 37 | | | | | | | | | | | | | | | | | | | | | | | | | | | |
| 40 | | | | | | | | ● | ● | ● | ● | ● | ● | ● | ● | ● | ● | ● | ● | ● | ● | ● | ● | ● | ● | ● | ● |
| 47 | | | | | | | | | | | | | | | | | | | | | | | | | | | |
| 50 | | | | | | | | | | ● | | | | | | | | | | | | | | | | | |
| 60 | | | | | | | | | | | | | | | | | | | | | | | | | | | |
| 70 | | | | | | | | | | | | | | | | | | | | | | | | | | | |
| 77 | | | | | | | | | | | | | | | | | | | | | | | | | | | |
| 80 | | | | | | | | | | | | | | | | | | | | | | | | | | | |

订购示例:

| | | |
|-----------------------|-------|-----------------------|
| 导套, 青铜 | | = 3120.71. |
| 导向装置直径 d ₁ | 40 mm | = 040. |
| 外径 d ₂ | 55 mm | = 055. |
| 安装长度 l ₁ | 25 mm | = 025 |
| 订购编号 | | = 3120.71.040.055.025 |

导套, 青铜

3120.71.



材料:
青铜

说明:
轴套可以在径向和轴向使用。
☞ 安装说明/尺寸及公差要求见D章最后。

固定件:
粘贴或必要时使用螺杆或带法兰头的螺栓 2192.61. 加固。

3120.71. 导套, 青铜

| | | | | | | | | | | | | | | | | | | | | | | | | | | | |
|----------------|-----|-----|-----|-----|-----|-----|----|----|----|----|----|----|----|----|----|----|-----|-----|-----|-----|-----|-----|-----|-----|-----|-----|-----|
| d ₁ | 45 | 45 | 45 | 50 | 50 | 50 | 55 | 60 | 60 | 63 | 65 | 70 | 70 | 75 | 75 | 80 | 80 | 85 | 90 | 100 | 110 | 120 | 125 | 130 | 140 | 150 | 160 |
| d ₂ | 55 | 56 | 60 | 60 | 62 | 65 | 70 | 74 | 75 | 75 | 80 | 85 | 90 | 90 | 95 | 96 | 100 | 100 | 110 | 120 | 130 | 140 | 145 | 150 | 160 | 170 | 180 |
| r | 1.5 | 1.5 | 1.5 | 1.5 | 1.5 | 1.5 | 2 | 2 | 2 | 2 | 2 | 2 | 2 | 2 | 2 | 2 | 2 | 2 | 2 | 2 | 2 | 2 | 2 | 2 | 2 | 2 | 2 |
| l ₄ | 4 | 4 | 4 | 4 | 4 | 4 | 4 | 4 | 4 | 4 | 4 | 4 | 4 | 4 | 4 | 4 | 4 | 4 | 4 | 4 | 4 | 4 | 4 | 4 | 4 | 4 | 4 |
| l ₁ | | | | | | | | | | | | | | | | | | | | | | | | | | | |
| 30 | ● | ● | ● | ● | ● | ● | | ● | ● | | | | | | | | | | | | | | | | | | |
| 35 | ● | ● | ● | ● | ● | ● | | ● | ● | | | ● | | | | | | | | | | | | | | | |
| 40 | ● | ● | ● | ● | ● | ● | ● | ● | ● | | | ● | | | | | | | | | | | | | | | |
| 50 | ● | ● | ● | ● | ● | ● | ● | ● | ● | | ● | | ● | | | | ● | ● | | | | | | | | | |
| 60 | ● | ● | ● | ● | ● | ● | ● | ● | ● | ● | ● | ● | ● | ● | ● | ● | ● | ● | | ● | ● | | | | | | |
| 70 | | | ● | ● | ● | ● | ● | ● | ● | ● | ● | ● | ● | ● | ● | ● | ● | ● | | ● | ● | | | | | | |
| 80 | | | ● | ● | ● | ● | ● | ● | ● | ● | ● | ● | ● | ● | ● | ● | ● | ● | ● | ● | ● | ● | ● | ● | ● | ● | ● |
| 95 | | | | ● | | | | | | | | | | | | | | | | | | | | | | | |
| 100 | | | | | ● | | | | ● | | | ● | | ● | ● | ● | ● | ● | ● | ● | ● | ● | ● | ● | ● | ● | ● |
| 120 | | | | | | | | | | ● | | | | | | | ● | ● | ● | ● | ● | ● | ● | ● | ● | ● | ● |
| 130 | | | | | | | | | | | | | | | | | | | | | | | | | ● | | |
| 140 | | | | | | | | | | | | | | | | | | | | | | ● | | | | ● | |
| 150 | | | | | | | | | | | | | | | | | | | | | | | | | | | ● |

订购示例:

| | |
|-----------------------|-----------------------|
| 导套, 青铜 | = 3120.71. |
| 导向装置直径 d ₁ | 40 mm = 040. |
| 外径 d ₂ | 55 mm = 055. |
| 安装长度 l ₁ | 25 mm = 025 |
| 订购编号 | = 3120.71.040.055.025 |