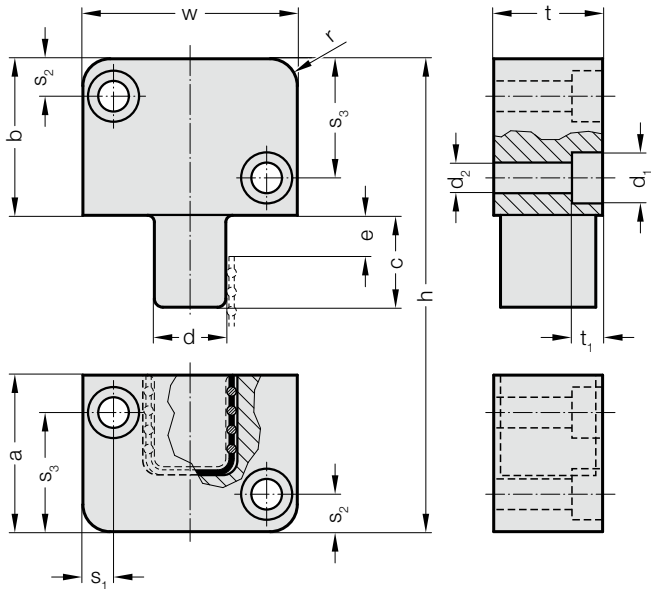


RECTANGULAR GUIDE, STEEL WITH ROLLERS

3131.80.



Description:

The rectangular guides with rollers guarantee the greatest precision when their mould is moved together. The rectangular guides must always be installed in the outer area of the mould plates to ensure problem-free functionality.

Advantages: no play or friction, low maintenance and no lubrication

Material:

Steel
Hardness: 56-58 HRC
Surface: burnished

Note:

The maximum operating temperature is 150°C.

3131.80. Rectangular guide, Steel with Rollers

Order No	t	w	a	b	c	d	e	h	r	s ₁	s ₂	s ₃	d ₁	d ₂	t ₁
3131.80.032.063	32	63	46	46	27	21	12.1	92	8	9	11	35	15	9	9
3131.80.040.100	40	100	66	66	36	33	19.5	132	10	13	18	48	20	13.5	13