

# GAS SPRING (SPRING PLUNGER) MOULD LINE, WITH HEXAGON SOCKET

## Description:

Spring plungers are used as ejectors, damper pins, fixing and retaining pins in many sectors of the tool-, jig- and fixture-making industries. Assembly requires the use of special FIBRO insertion tool (2470.12.010.017).

## Note:

Worn gas springs cannot be repaired, they have to be replaced completely.

Pressure medium: Nitrogen - N<sub>2</sub>

Max. filling pressure depends on working temperature:

150 bar (20°C) at 0°C-80°C

125 bar (20°C) at 80°C-100°C

115 bar (20°C) at 100°C-120°C

Min. filling pressure: 25 bar (20°C)

Working temperature: 0°C to +120°C

Temperature related force increase: ± 0.3%/°C

Max. recommended extensions per minute:

20 (at 0°C-80°C)

15 (at 80°C-100°C)

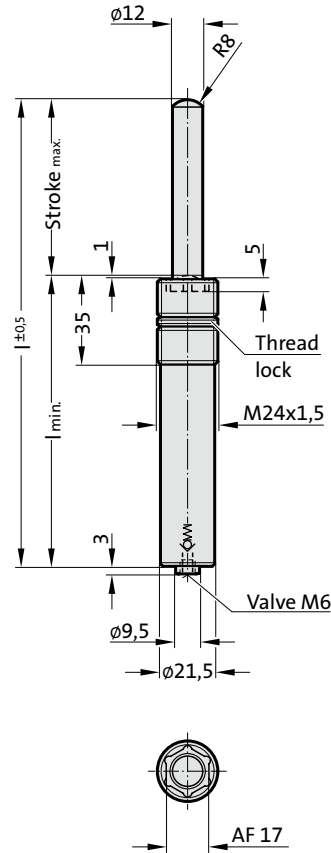
10 (at 100°C-120°C)

Max. piston speed: 1.0 m/s

2) Hexagon nut order supplementary:

2480.004.00170

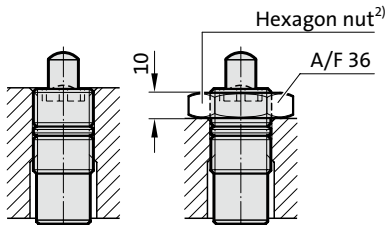
3479.032.



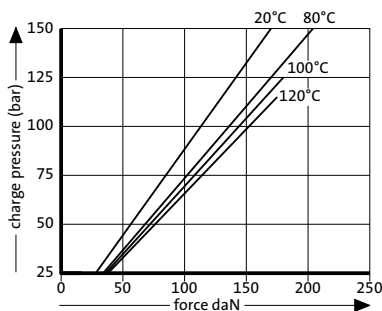
3479.032.

Gas spring (Spring plunger) MOULD LINE, with hexagon socket

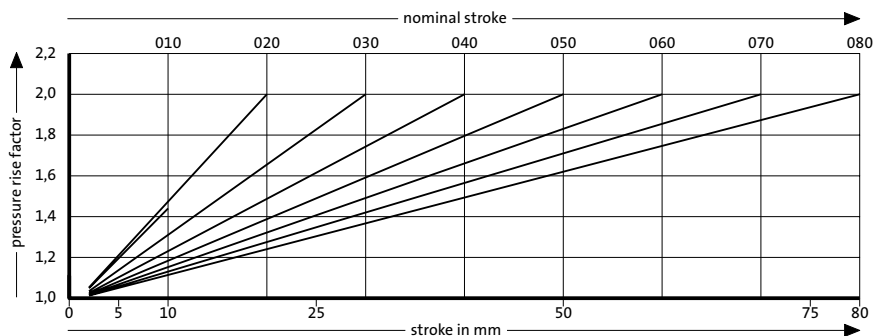
Order No	Stroke <sub>max</sub> (s)	l <sub>min</sub>	l
3479.032.00170.010	10	55	65
3479.032.00170.020	20	65	85
3479.032.00170.030	30	75	105
3479.032.00170.040	40	85	125
3479.032.00170.050	50	95	145
3479.032.00170.060	60	105	165
3479.032.00170.070	70	115	185
3479.032.00170.080	80	125	205



Initial spring force versus charge pressure



Spring force Diagram displacement versus stroke rise



Pressure rise factor accounts for displacement but not external influences!