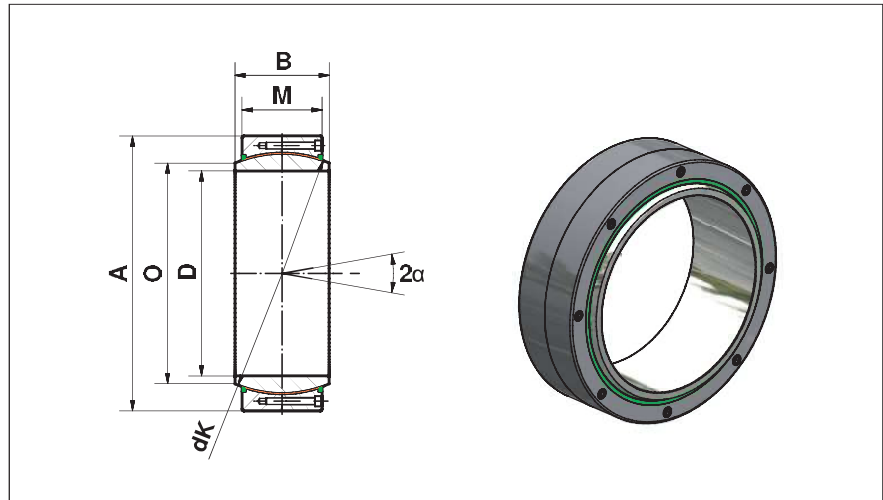


Spherical Plain Bearings Series C

Series GE...CW GE...CW-2RS

Spherical plain bearings series C.
DIN ISO 12240-1,
mating surface hard
chrome/FLUROGLIDE®,
maintenance free

For use with high
unidirectionally/variably
acting loads



Series GE...CW	Size (D)	B	M	A	O	dK	Static load ratings C ₀ kN	Dynamic load ratings C kN	Tilting angle α	Weight kg
	320 ⁰ _{-0,040}	160	135 ⁰ _{-0,90}	440 ⁰ _{-0,045}	344,6	380	25.480	15.290	4,0	76,0
	340 ⁰ _{-0,040}	160	135 ⁰ _{-0,90}	460 ⁰ _{-0,045}	366,6	400	26.830	16.095	3,8	80,0
	360 ⁰ _{-0,040}	160	135 ⁰ _{-0,90}	480 ⁰ _{-0,045}	388,3	420	28.170	16.900	3,6	86,0
	380 ⁰ _{-0,040}	190	160 ⁰ _{-1,0}	520 ⁰ _{-0,050}	407,9	450	35.795	21.475	4,1	124,5
	400 ⁰ _{-0,040}	190	160 ⁰ _{-1,0}	540 ⁰ _{-0,050}	429,8	470	37.385	22.430	3,9	131,0

Series GE...CW-2RS	Size (D)	B	M	A	O	dK	Static load ratings C ₀ kN	Dynamic load ratings C kN	Tilting angle α	Weight kg
	320 ⁰ _{-0,040}	160	135 ⁰ _{-0,90}	440 ⁰ _{-0,045}	344,6	380	21.420	12.850	4,0	76,0
	340 ⁰ _{-0,040}	160	135 ⁰ _{-0,90}	460 ⁰ _{-0,045}	366,6	400	22.550	13.530	3,8	80,0
	360 ⁰ _{-0,040}	160	135 ⁰ _{-0,90}	480 ⁰ _{-0,045}	388,3	420	23.675	14.205	3,6	86,0
	380 ⁰ _{-0,040}	190	160 ⁰ _{-1,0}	520 ⁰ _{-0,050}	407,9	450	30.980	18.590	4,1	124,5
	400 ⁰ _{-0,040}	190	160 ⁰ _{-1,0}	540 ⁰ _{-0,050}	429,8	470	32.370	19.415	3,9	131,0

⚠ Please note: The screw design is dimensioned only for the dynamic load rating C!
In case of higher loads, the outer ring halves must be secured by constructional measures (e.g. clamshell cover).

Materials:

Outer ring: Quenched and tempered steel, with FLUROGLIDE® bonded to the inner surface

Inner ring: Bearing steel 100CrMn6, hardened, ground, polished, hard chrome plated

Please note that the numbers pointed off on the pages 17 to 23 and 25 in the data sheets, signalise a thousands place. And the numbers with thousands separators (comma) signalise a decimal point.