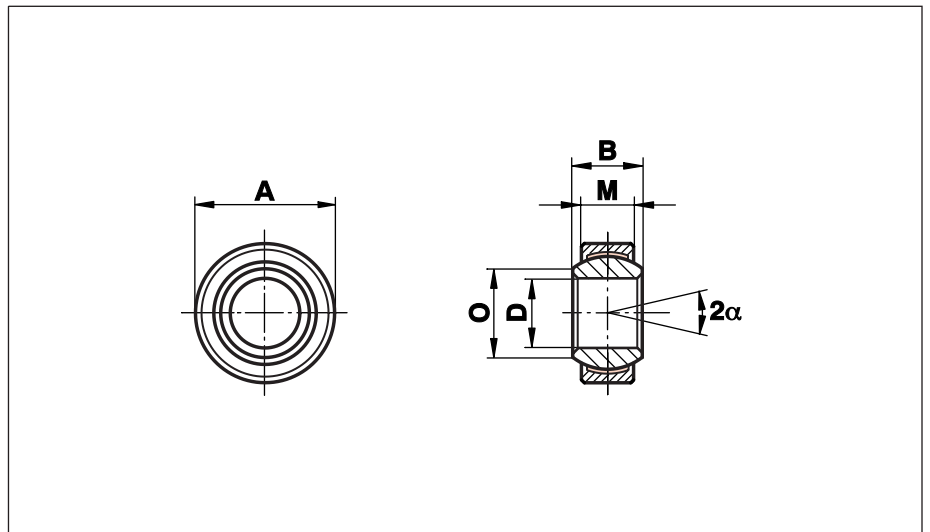


Spherical Plain Bearings Motor Sport-Stainless, Maintenance Free

Series GE..EC-NIRO MS

Spherical Plain Bearings, narrow series made from stainless steel running on PTFE, maintenance free

For use at dynamic pressure and tension loads in corrosive environments and limited fitting dimensions



Description	D	B	M	A	O	static radial load C ₀ kN	dynamic radial load C ₀ kN		weight gr
GE 10 EC-NIRO MS	10 ⁰ _{-0,00}	9	6	19 ⁰ _{-0,009}	13,2	23,4	10,0	12 _i	11
GE 12 EC-NIRO MS	12 ⁰ _{-0,008}	10	7	22 ⁰ _{-0,009}	14,9	32,0	14,0	11 _i	16
GE 15 EC-NIRO MS	15 ⁰ _{-0,008}	12	9	26 ⁰ _{-0,009}	18,4	50,0	30,0	11 _i	26
GE 17 EC-NIRO MS	17 ⁰ _{-0,008}	14	10	30 ⁰ _{-0,009}	20,7	65,0	39,0	10 _i	38
GE 20 EC-NIRO MS	20 ⁰ _{-0,010}	16	12	35 ⁰ _{-0,011}	24,2	90,5	54,0	9 _i	61

Materials:

Insert: Stainless steel to 1.4571, Aisi 316Ti, with PTFE liner bonded to the inner surface

Ball: Stainless steel to 1.4125, hardened, ground, polished

Clearance: preloaded, zero tolerance