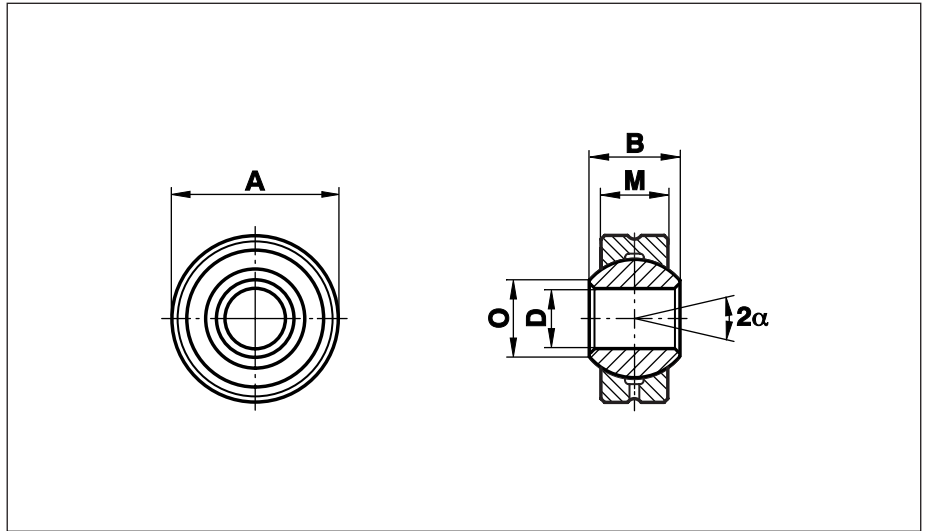


Spherical Plain Bearings Extra Heavy Duty Steel on Steel, Stainless

Series GXO..(RR)

Spherical Plain Bearings with larger outside \bar{r} , regreasable

For use at highest dynamic radial and axial pressure and tension loads. Vibration and impact resistant



Description	DH7	B	M	A h6	O	static radial load C_0 kN	dynamic radial load C_0 kN		weight gr
GXO 8.22	8	12	9,00	22	10,4	60,7	7,1	14 _i	23
GXO 10.26	10	14	10,50	26	12,9	85,2	9,9	13 _i	38
GXO 12.30	12	16	12,00	30	15,4	113,5	13,0	13 _i	58
GXO 14.34	14	19	13,50	34	16,8	146,0	17,0	16 _i	83
GXO 16.38	16	21	15,00	38	19,3	182,5	21,0	15 _i	115
GXO 18.42	18	23	16,50	42	21,8	224,0	26,0	15 _i	150
GXO 20.46	20	25	18,00	46	24,3	268,0	31,0	14 _i	200

Materials:

Insert: Extra heavy-duty steel to 45S20, zinc plated

Ball: Bearing steel to 100Cr6, Aisi 52100 hardened, ground, polished, hard chrome plated

Clearance: minimal fit / smaller internal clearance

Description	DH7	B	M	A h6	O	static radial load C_0 kN	dynamic radial load C_0 kN		weight gr
GXO 8.22 RR	8	12	9,00	22	10,4	30,4	3,5	14 _i	23
GXO 10.26 RR	10	14	10,50	26	12,9	42,6	4,9	13 _i	38
GXO 12.30 RR	12	16	12,00	30	15,4	57,0	6,5	13 _i	58
GXO 14.34 RR	14	19	13,50	34	16,8	73,0	8,5	16 _i	83
GXO 16.38 RR	16	21	15,00	38	19,3	91,0	10,5	15 _i	115
GXO 18.42 RR	18	23	16,50	42	21,8	112,0	13,0	15 _i	150
GXO 20.46 RR	20	25	18,00	46	24,3	134,0	15,5	14 _i	200

Materials:

Insert: Stainless steel to 1.4571, Aisi 316Ti

Ball: Stainless steel to 1.4034, Aisi 420, hardened, ground, polished

Clearance: minimal fit / smaller internal clearance

Both series are also available with threaded bolt.