

Thermocouple Surface sensor with pipe clamp fixing Series GF-7022

PRODUCT FEATURES

- ✓ Thermocouples
acc. to DIN EN 60584
- ✓ High precision thermo cable
- ✓ High precision measuring system
- ✓ Single / double measuring system
- ✓ Electrical isolated or not isolated
- ✓ Pure silver interior design
- ✓ Durable
- ✓ Process and failsafe
- ✓ Temperature and long term stable
- ✓ ATEX version
- ✓ FDA / CE compliant version

TECHNICAL DETAILS

Thermo voltage

Fe-CuNi/J-L, NiCr-Ni/K, Pt-RhPt/S-R

Standard pipe clamp size

16 mm to 130 mm

Standard band clamp size

30 mm to 1000 mm

Clamp material

1.4571 and more on request

Sensor material

Stainless steel

Process temp. at the measuring tip

Up to +600°C depending on version

Sensor fixing

Closure of the clamp with slot and hexagon

High - quality cable types

Thermocouple cables
All available versions

Connectivity

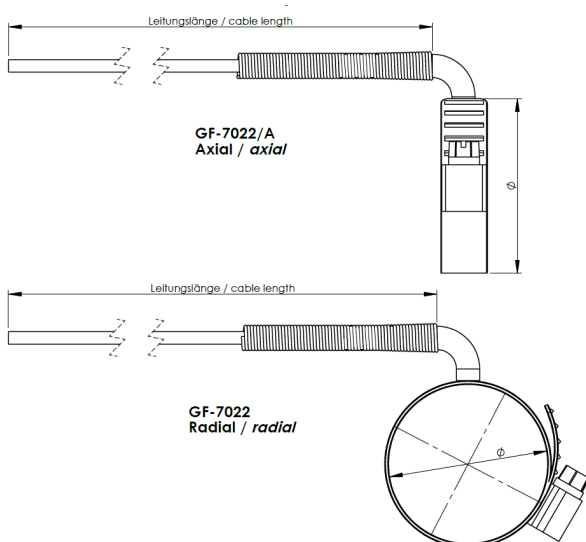
Free ends, plug, special

Special version

Customized, on request

Standard version							
	GF-7022						
Special version							
Standard version (RADIAL)		/R					
Standard version (AXIAL)		/A					
ATEX		EX					
Number of measuring systems							
1 x			1				
2x			2				
Type of element							
Fe-CuNi Type J			FK-J				
Fe-CuNi Type L			FK-L				
Fe-CuNi Type K			NC				
Check element selection							
Electrical properties							
Grounded				e			
Isolated				i			
Diameter pipe - or band clamp							
16 mm - 25 mm				68			
20 mm - 32 mm				69			
32 mm - 50 mm				70			
50 mm - 70 mm				71			
70 mm - 90 mm				72			
90 mm - 110 mm				73			
110 mm - 130 mm				74			
Further versions on request							
Cable length in mm							
Mention in mm					XXXX		
Cable type							
Glass fiber - Glass fiber - stainless steel braid						without mention	
Glass fiber - Glass fiber - stainless steel braid - PTFE						GL-GL-PVA-TE	
R - Glass fiber - R - Glass fiber - stainless steel braid						RGL-RGL-PVA	
Check cable types							
Connection							
Free Ends, 60 mm							A
Check ends							PRF
Thermo plug „S“ Standard / „M“ Mini							TSTXS
Round plug bayonet lock							CST3PB
Round plug screw lock							CST3PS
Check plug types							
Temperature measuring tip							
Mention in °C							400°C
Order code (example) → GF-7022 1 FK-J. e. 70 3000. A 400°C							

MEASURES



DIGITAL DATA
2D, 3D and CAD

to Download