

Resistance thermometer Surface sensor with pipe clamp fixing Series GF-7122

PRODUCT FEATURES

- ✓ Resistance thermometer acc. to DIN EN 60751
- ✓ High precision platinum sensor
- ✓ High precision measuring system
- ✓ Single / double measuring system
- ✓ Vibration resistant design
- ✓ High temperature resistance
- ✓ Durable
- ✓ Process and fail safe
- ✓ Temperature and long-term stable
- ✓ ATEX version
- ✓ FDA / CE compliant version

TECHNICAL DETAILS

Core values

PT50/PT100/PT500/PT1000
KTY/NTC/PTC

Standard pipe clamp size

16 mm to 130 mm

Standard band clamp size

30 mm to 1000 mm

Clamp material

1.4571 and more on request

Sensor material

Stainless steel

Process temp. at the measuring tip

Up to +600°C depending on version

Sensor fixing

Closure of the clamp with slot and hexagon

High - quality cable types

Connection cables
All available versions

Connectivity

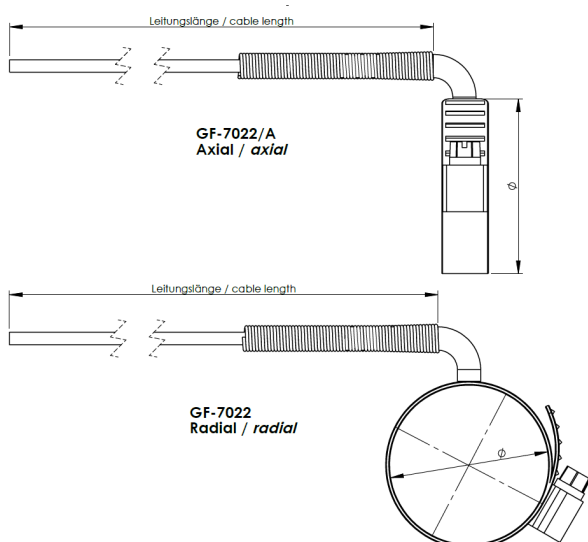
Free ends, plug, special

Special version

Customized, on request

Standard version									
	GF-7122								
Special version									
Standard version (RADIAL)		/R							
Standard version (AXIAL)		/A							
ATEX		EX							
Number of measuring systems									
1x			1						
2x			2						
Core values measuring system									
PT100 Class B			n/a						
PT100 Class A			K1.A						
PT100 Class AA			K1.AA						
PT50/PT500/KTY/NTC/PTC + Type			KTY						
Further versions on request									
Types of electrical circuits									
2-wire-circuit			n/a						
3-wire-circuit			3-L						
4-wire-circuit			4-L						
Further versions on request									
Diameter pipe - or band clamp									
16 mm - 25 mm						68			
20 mm - 32 mm						69			
32 mm - 50 mm						70			
50 mm - 70 mm						71			
70 mm - 90 mm						72			
90 mm - 110 mm						73			
110 mm - 130 mm						74			
Further versions on request									
Cable length in mm									
Mention in mm						XXXX			
Cable type									
Glass fiber - Glass fiber - stainless steel braid								without mention	
Glass fiber - Glass fiber - stainless steel braid - PTFE								GL-GL-PVA-TE	
R - Glass fiber - R - Glass fiber - stainless steel braid								RGL-RGL-PVA	
Check cable types									
Connection									
Free Ends, 60 mm								A	
Check ends								PRF	
LEMO plug + size + number of poles								LST2PS	
Round plug screw lock + size + number of poles								DST3PS	
M 12 Round plug + number of poles								EST-M12-4P	
Check plug types									
Temperature measuring tip									
Mention in °C									400°C
Order code (Example) → GF-7122 1 K1.A 3-L 70 3000. A 400°C									

MEASURES



DIGITAL DATA
2D, 3D and CAD

[to Download](#)