

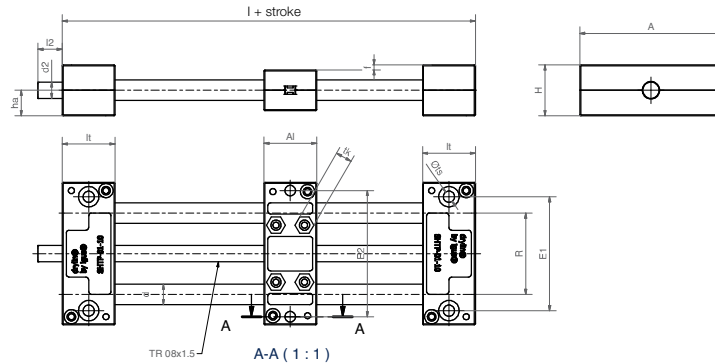


- Lightweight
 - Low-profile design
 - Ideal for multi-carriage solutions
 - Available accessories
- Page 1113



Order key

SHTP-01-10



Technical data

Part No.	Max. stroke length [mm]	Aluminium shaft		More Information
		Weight [kg]	Additional [kg] (per 100 mm)	
SHTP-01-10	350	0.2	0.08	Liners and lead screw nuts made from iglidur® J

Dimensions [mm]

Part No.	A	A1	H	E1	E2	I	R	f	l _t	tk	ts
									±0.1		
SHTP-01-10	70	26	25	56	62	78	40	2.5	26	8	5.5

Part No.	s	sg	d	T	l ₂	d ₂ ⁹⁹⁾	h _a	Max. static load capacity	
								axial [N]	radial [N]
SHTP-01-10	5.2	M5	10	Tr10x1.5	15	Tr08x1.5	12.5	100	400

⁹⁹⁾ Lead screw end unmachined (standard)

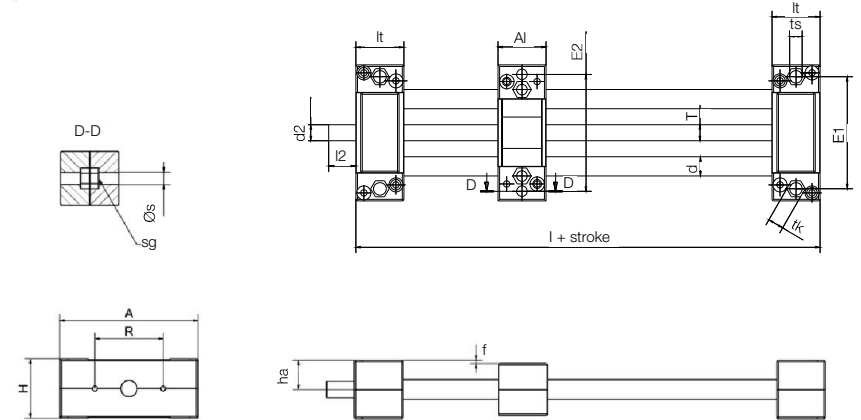
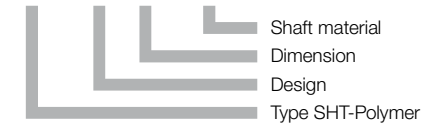


- Solid polymer design
 - Lightweight
 - Cost-effective
 - Corrosion resistant
 - Available accessories
- Page 1113



Order key

SHTP-01-12-AWM



Technical data

Part No.	Max. stroke length [mm]	Aluminium shaft		More Information
		Weight [kg]	Additional [kg] (per 100 mm)	
SHTP-01-12	500	0.35	0.11	Liners and lead screw nuts made from iglidur® J
SHTP-02-12	500	0.35	0.11	Bearing and nut integrated into the carriage

Dimensions [mm]

Part No.	A	A1	H	E1	E2	I	R	f	l _t	tk	ts
									±0.1		
SHTP-01-12	85	30	36	70	73	90	42	2	30	10	6.0
SHTP-02-12	85	30	36	70	73	90	42	2	30	10	6.0

Part No.	s	sg	d	T	l ₂	d ₂ ⁹⁹⁾	h _a	Max. static load capacity	
								axial [N]	radial [N]
SHTP-01-12	6.3	M6	12	Tr10x2	17	Tr10x2	18	200	400
SHTP-02-12	6.3	M6	12	Tr10x2	17	Tr10x2	18	200	400

⁹⁹⁾ Lead screw end unmachined (standard)