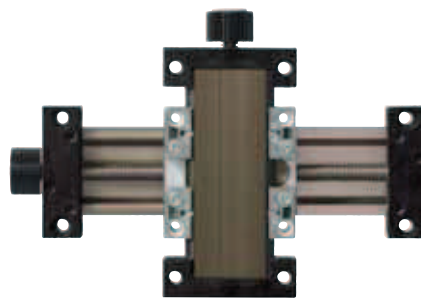
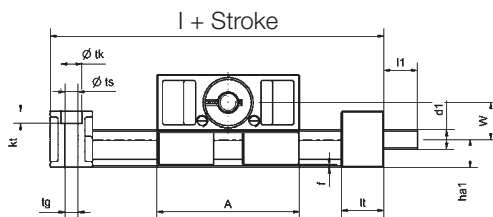
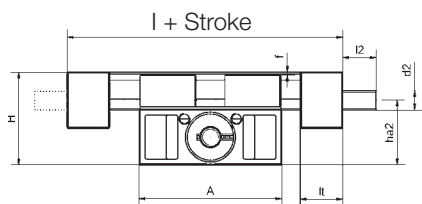
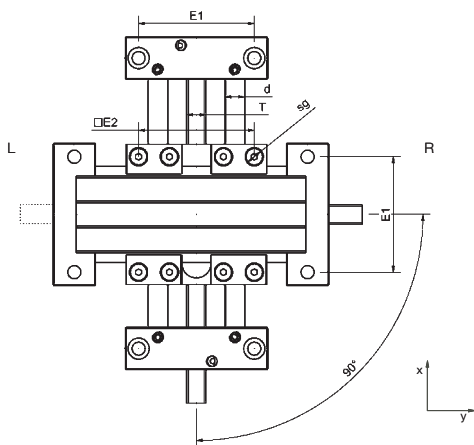


SLW-XY-1040



SLW-XY-0630



Special properties

- Low cost
- Lubricant- and corrosion-free
- Drive with trapezoidal thread TR10 x 2
- Accessories available (rotary knob, position indicator ...)

Dimensions [mm] and Lengths

Part No.	A	H	E1	E2	Basic length lx [mm]	Basic length ly [mm]	f	lt	tk ±0,1	ts	tg	kt
	[mm]	[mm]	[mm]	[mm]			[mm]	[mm]	[mm]	[mm]	[mm]	[mm]
SLW-XY-0630	54	37,4	40	45	94	94	1,2	20	11	8	M8	8
SLW-XY-1040	74	48	60	60	117	117	1,5	22	11	6,6	M8	6,4

Dimensions [mm]

Part No.	sg	d	T	l1	d1	d1	l2	d2	d2	ha1	ha2	W
	[mm]	[mm]	[mm]	[mm]	Standard alternative		[mm]	Standard alternative		[mm]	[mm]	ha2 - ha1
SLW-XY-0630	M4	5	M8	15	M8	-	15	M8	-	9,5	27,9	18,4
SLW-XY-1040	M6	10	TR10x2	17	TR10x2	6h9	17	TR10x2	6h9	14,5	33,5	19

Order example:

The rotary knob on the y-axis can be ordered installed on the left or on the right side.

Order example for left SLW-XY-1040-L-200-300 for 200 mm stroke length on the x-axis and 300 mm on the y-axis.

Order example for right SLW-XY-1040-R-200-300 for 200 mm stroke length on the x-axis and 300 mm on the y-axis.

DryLin® SHT

mm

Phone +49 - 22 03 - 96 49-145

Fax +49 - 22 03 - 96 49-334

