



DryLin® N 27 | Low-Profile Linear Guide

Size 27

The NW 27 series is available in 2 different versions: As a slide with a plain bore, and as a slide with a threaded bore. The lubrication free design is capable of running at high linear speeds.

- Rail width 27 mm
- more than 20 different carriages
- Installation height 9.5 mm
- 100% lubrication-free
- iglidur® J plain bearing material

DryLin® N

Phone +49 - 22 03 - 96 49-145
Fax +49 - 22 03 - 96 49-334

igus® GmbH
51147 Cologne

Internet www.igus.de
E-mail info@igus.de

62.8



Standard 01
with mounting
hole



Standard 02
with thread



Preload with
mounting hole or
thread



Overmoulded
with mounting hole
or thread



Polymer carriage
with mounting hole



Polymer carriage
with threaded pin



Double carriage
with mounting hole

Structure of the Part No. for assembled systems:

NK -02 -27 -02 -500 LLZ C5 = 20

Assembled System

Type of carriage

- 01 with mounting hole
- 02 with thread
- 04 with mounting hole, double carriage
- 11 with mounting hole, overmoulded
- 12 with thread, overmoulded
- 21 with pre-tension and mounting hole
- 22 with pre-tension and threaded pin

Size

27 = 27 mm rail width

No. of carriages

Length of rail in mm

Carriage options

- Leave blank: Standard
- LLZ: Floating z-direction
- LLY: Floating y-direction
- LLYZ: Floating y- and z-direction
- P: Preload (max. 1 N)

Rail options

- Leave blank: Standard with holes
- UNGEBOHRT: Without holes
- C5 = ... mm: If hole spacing is not symmetrical



DryLin® NK-01/02-27 | Low-Profile Linear Guide



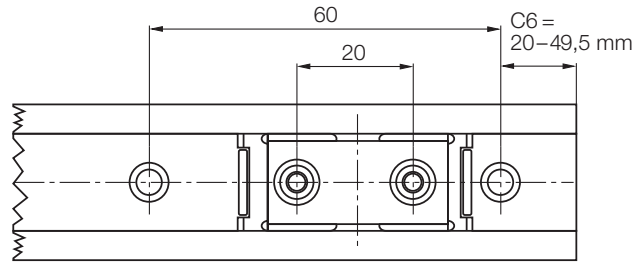
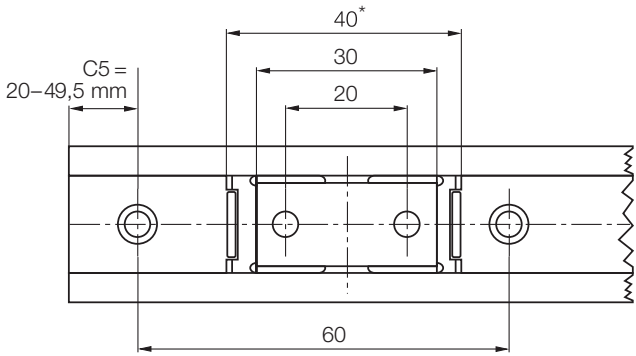
Data, version 01/11:	
Part No. carriage	NW-01-27
Part No. rail	NS-01-27
Rail weight	290 g/m
Carriage weight	10,8 g
Max. rail length	3000 mm
Standard bore pattern	symmetrical (C5 = C6)
mögliche Vorspannung	1 N



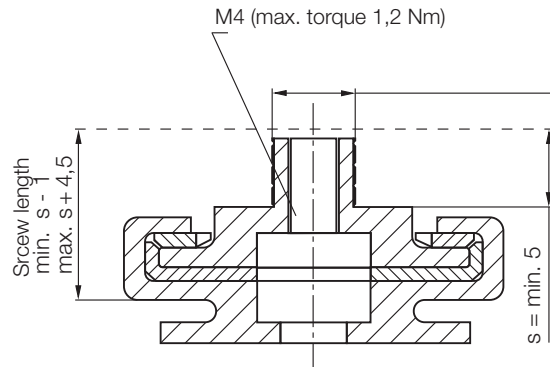
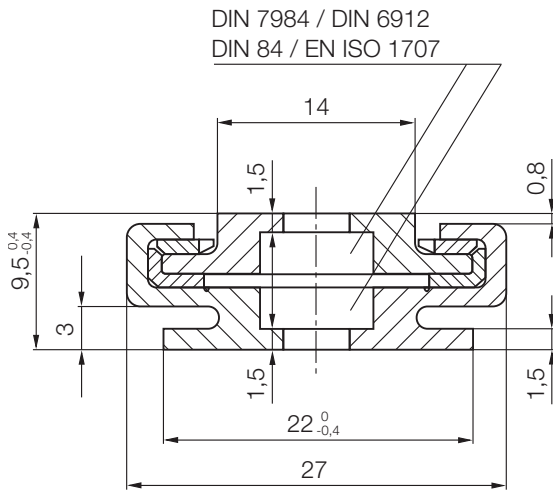
Data, version 2/12:	
Part No. carriage	NW-02-27
Part No. rail	NS-01-27
Rail weight	290 g/m
Carriage weight	12,5 g
Max. rail length	3000 mm
Standard bore pattern	symmetrical (C5 = C6)

Version 01: Carriage with mounting hole

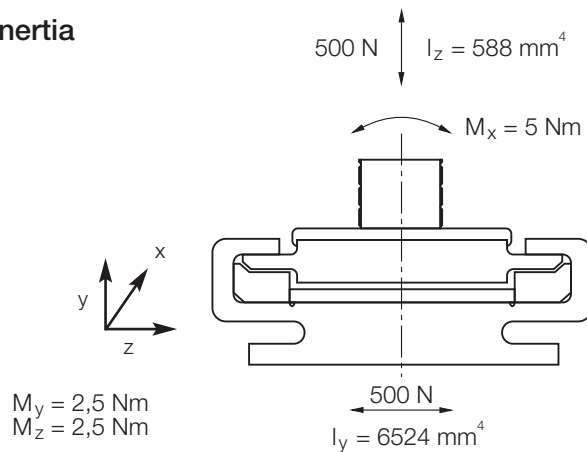
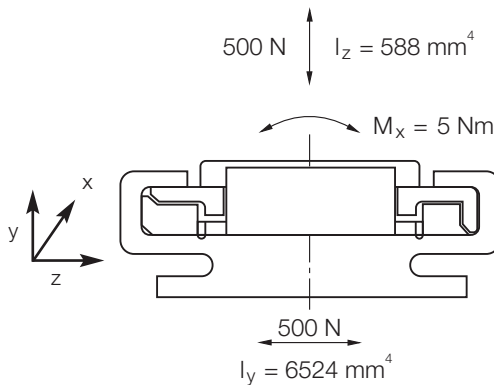
Version 02: Carriage with thread



* Length of carriages version NW-11-27 und NW-12-27: $34 \pm 0,7$ mm



Static load-bearing and geometric moment of inertia



Order example: NK-01-27-2, 500

More details on part no. options: ▶ Page 62.4



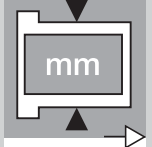
For rails without mounting holes, please use part number suffix "UNGEBOHRT".

Lifetime calculation, CAD files and much more support ▶ www.igus.de/en/DryLinN



DryLin® N

Phone +49 - 22 03 - 96 49-145
Fax +49 - 22 03 - 96 49-334





DryLin® N

Phone +49 - 22 03 - 96 49-145
 Fax +49 - 22 03 - 96 49-334

igus® GmbH
 51147 Cologne

Internet www.igus.de
 E-mail info@igus.de



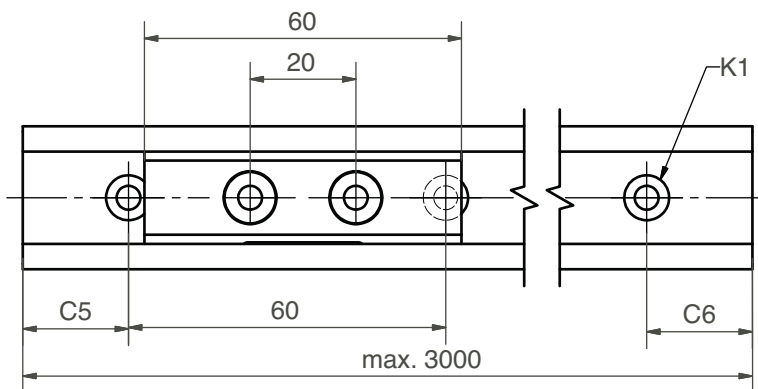
Data, version 21:	
Part No. carriage	NW-21-27-60P
Part No. rail	NS-01-27
Rail weight	290 g/m
Carriage weight	9 g
Max. rail length	3000 mm
Standard bore pattern	symmetrical (C5 = C6)
Preload available	1 N

Version 21: Carriage with mounting hole



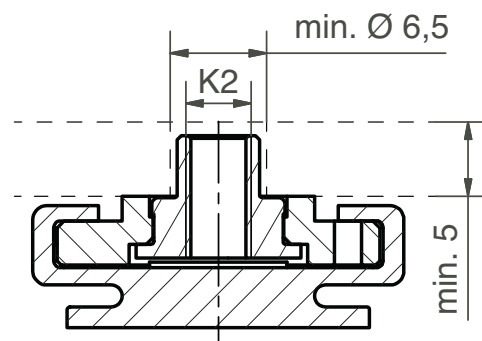
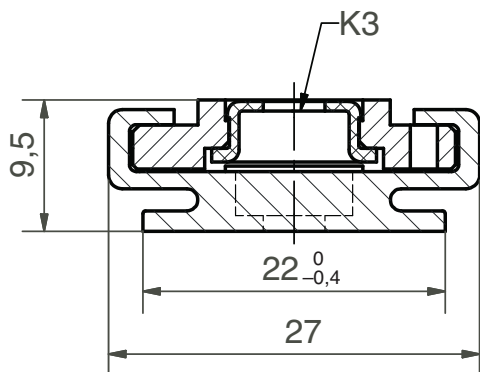
Data, version 22:	
Part No. carriage	NW-22-27-60P
Part No. rail	NS-01-27
Rail weight	290 g/m
Carriage weight	12 g
Max. rail length	3000 mm
Standard bore pattern	symmetrical (C5 = C6)
Preload available	1 N

Version 22: Carriage with thread

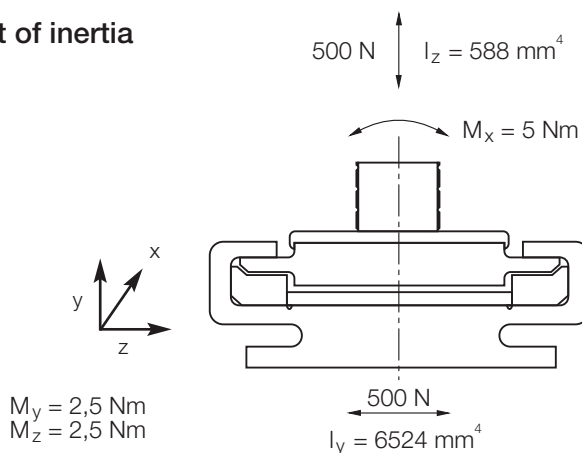
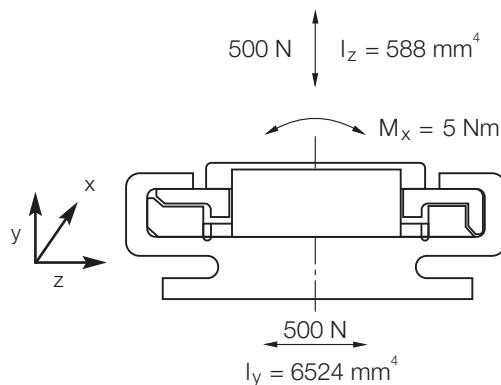


NW-21-27-60-P

NW-22-27-60-P



Static load-bearing and geometric moment of inertia



Order example: NK-21-27-2, 500
 More details on part no. options: ▶ Page 62.4

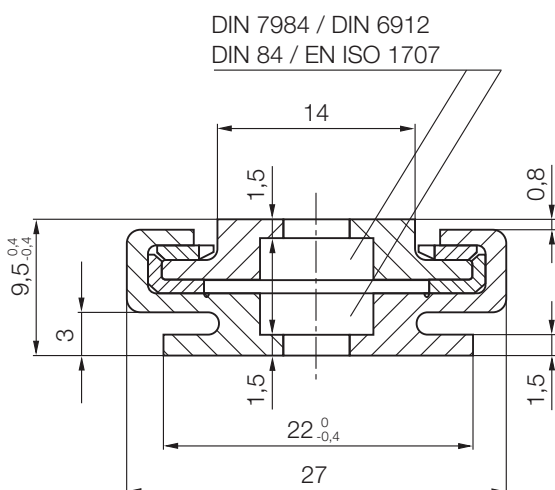
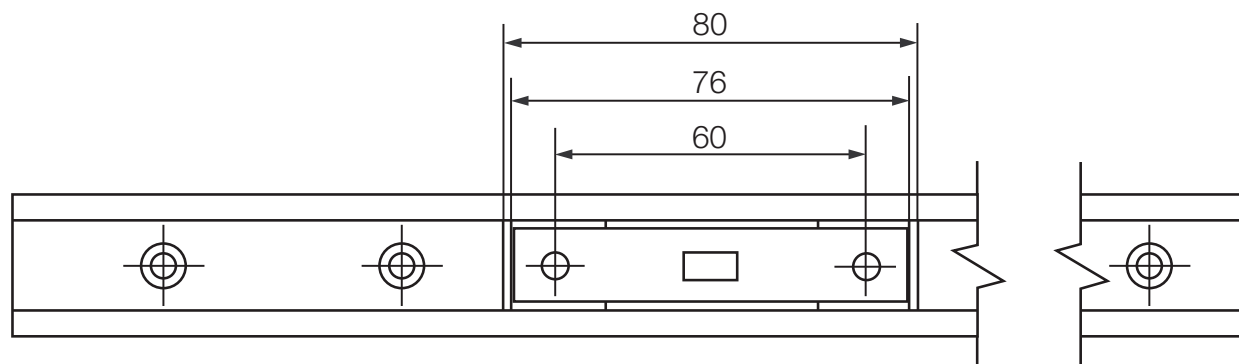


For rails without mounting holes, please use part number suffix "UNGEBOHRT".

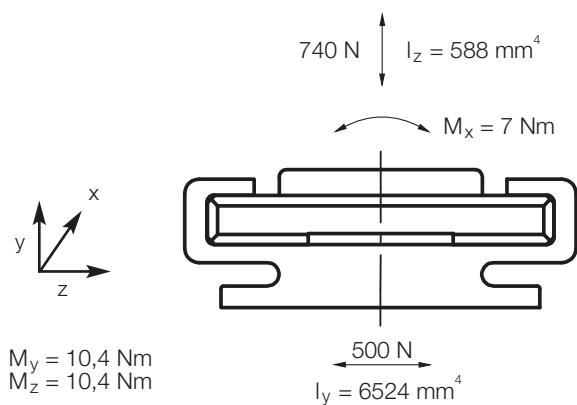
DryLin® NK-04-27 | Low-Profile Linear Guide, long



Data:	
Part No. carriage	NW-04-27
Part No. rail	NS-01-27
Rail weight	290 g/m
Carriage weight	25 g
Max. rail length	3000 mm
Standard bore pattern	symmetrical (C5 = C6)
Gliding elements	iglidur® J200



Static load-bearing and geometric moment of inertia



Order example: **NK-04-27-2, 500**

More details on part no. options:

► Page 62.4



For rails without mounting holes, please use part number suffix "UNGEBOHRT".



DryLin® N

Phone +49 - 22 03 - 96 49-145
Fax +49 - 22 03 - 96 49-334

