

Structure – part no.  
**JUM-11-10**

- Diameter
- Precision
- Metric
- Design
- iglidur® J



**Special properties**

- Increased bearing area = longer service life
- Reduced maximum bearing clearance\*\*
- Bearing material: iglidur® J
- Low coefficient of friction
- Optimized wear behaviour
- Maintenance-free and lubrication-free
- Also available with open design for supported shafts (JUMO-11) and closed version (JUM-12)

\* According to igus® testing method

▶ Page 64.37

\*\*Compared to JUM-01 range  
Available from stock

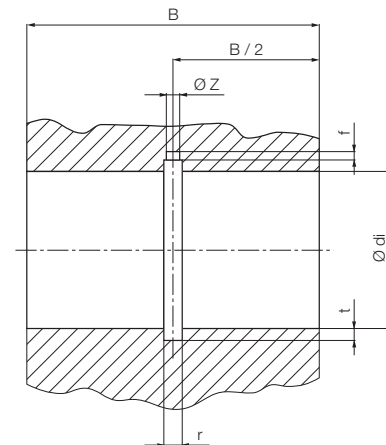
**Dimensions [mm] and Weight**

Part No.	d1 [mm]	Tolerance* [mm]	d2 [mm]	b1 [mm]	r [mm]	t [mm]	z [mm]	Weight [g]
JUM-11-10	10	0,00-0,04	12	29	3,0	0,8	2,5	1,23
JUM-11-12	12	0,00-0,04	14	31	3,0	0,8	3,0	1,65
JUM-11-16	16	0,00-0,04	18	35	3,5	0,8	3,5	2,42
JUM-11-20	20	0,00-0,04	23	44	5,0	0,8	3,5	5,49
JUM-11-25	25	0,00-0,04	28	57	5,0	0,8	4,0	8,86
JUM-11-30	30	0,00-0,05	34	67	5,0	0,8	4,0	16,63
JUM-11-40	40	0,00-0,05	44	79	6,0	1,3	5,0	26,06
JUM-11-50	50	0,00-0,06	55	99	7,0	1,3	6,0	48,82

**Installation Drawings**

**Housing Bore, Dimensions [mm]**

Part No.	Nominal Size Ø	di [mm]	B [mm]	r [mm]	t [mm]	f [mm]	z [mm]
JUM-11-10	10	12	29	3,0	1,0	1,0	2,6
JUM-11-12	12	14	32	3,0	1,0	1,5	3,1
JUM-11-16	16	18	36	3,5	1,0	1,7	3,6
JUM-11-20	20	23	45	5,0	1,0	2,0	3,6
JUM-11-25	25	28	58	5,0	1,0	2,0	4,1
JUM-11-30	30	34	68	5,0	1,0	2,0	4,1
JUM-11-40	40	44	80	6,0	1,5	2,5	5,1
JUM-11-50	50	55	100	7,0	1,5	2,5	6,1

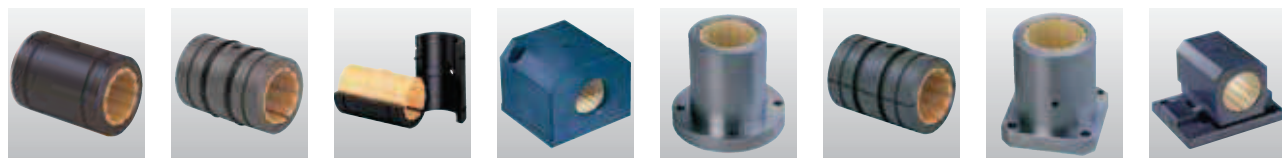


DryLin® R  
mm

Phone +49 - 22 03 - 96 49-145  
Fax +49 - 22 03 - 96 49-334



**Liners of the series JUM-11 are used in:**



- RJUM-11: ▶ P. 64.15
- RJUM-13: ▶ P. 64.19
- TJUM-11: ▶ P. 64.18
- RJUM-16: ▶ P. 64.27
- FJUM-11: ▶ P. 64.34
- TJUM-13: ▶ P. 64.20
- FJUM-12: ▶ P. 64.35
- RJUM-16 LL: ▶ P. 64.28