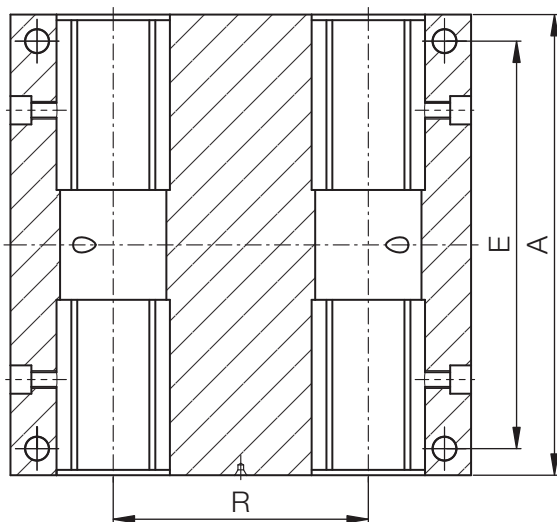
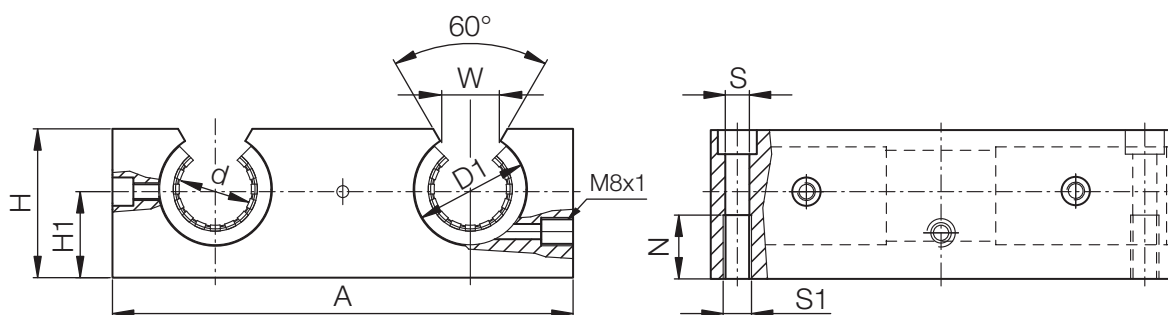


### Special properties

- Housing: aluminium
- Equipped with DryLin® R linear plain bearings, part no. OJUM-01-ø or OJUM-03-ø
- Maintenance-free
- Mounting bolts DIN 912-8.8, lock washer DIN 7980
- The bearing in the housing is secured using set screws
- Recommended tolerance for the shaft: h6 - h10 (see igus® supported shafts p. 64.46)
- Available from stock



### Dimensions [mm]

Part No. Standard with OJUM-01	Self-aligning with OJUM-03	d [mm]	D1 [mm]	A [mm]	H [mm]	H1 [mm]	W [mm]	R [mm]	N [mm]	E [mm]	S [mm]	S1 [mm]
OQA-01-12	OQA-03-12	12	22	85	30	18	14	42	13	73	5,3	M6
OQA-01-16	OQA-03-16	16	26	100	35	22	17	54	13	88	5,3	M6
OQA-01-20	OQA-03-20	20	32	130	42	25	17	72	18	115	6,8	M8
OQA-01-25	OQA-03-25	25	40	160	51	30	21	88	22	140	9,0	M10
OQA-01-30	OQA-03-30	30	47	180	60	35	21	96	26	158	10,5	M12
OQA-01-40	OQA-03-40	40	62	230	77	45	27	122	34	202	13,5	M16

DryLin® R

mm

Phone +49 - 22 03 - 96 49-145

Fax +49 - 22 03 - 96 49-334

