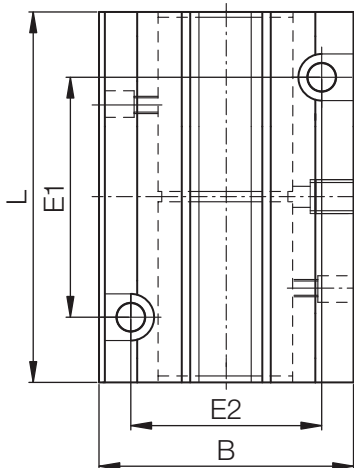
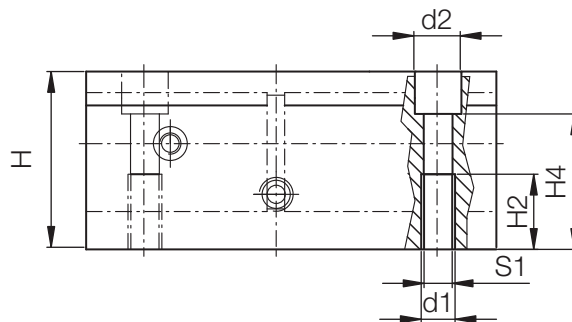
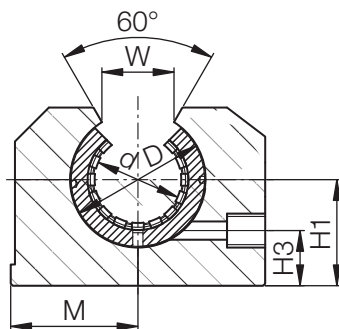


Special properties

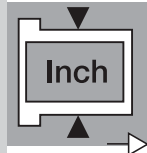
- Housing: aluminium
- Equipped with DryLin® R linear plain bearings, Part No. OJUM-01-ø or OJUM-03-ø
- Can be combined with DryLin® R housing bearing, Part No. OJUM-06-ø
- Securing of the bearing in the housing is done using set screws
- Mounting bolts DIN 912-8.8, washer DIN 7980
- Recommended tolerance for the shaft: h6 - h10 (see igus® supported shafts p. 64.46)
- Available from stock



DryLin® R

mm

Phone +49 - 22 03 - 96 49-145
Fax +49 - 22 03 - 96 49-334



Dimensions [mm]

Part No.	Self-aligning with	d [mm]	D [mm]	H [mm]	H1 [mm]	H2 [mm]	H3 [mm]	H4 [mm]	S1 [mm]	B [mm]	L [mm]	M [mm]	E1 [mm]	E2 [mm]	d1 [mm]	d2 [mm]	W [mm]
Standard with OJUM-01	OJUM-03		H6		+0,01						+0,3	±0,02	±0,15	±0,15			
OTA-01-12	OTA-03-12	12	22	30	18	13	10	25	M 6	43	76	21,5	40	30	5,20	10	14
OTA-01-16	OTA-03-16	16	26	35	22	13	12	30	M 6	53	84	26,5	45	36	5,20	10	17
OTA-01-20	OTA-03-20	20	32	42	25	18	13	34	M 8	60	104	30,0	55	45	6,80	11	17
OTA-01-25	OTA-03-25	25	40	51	30	22	15	40	M10	78	130	39,0	70	54	8,60	15	21
OTA-01-30	OTA-03-30	30	47	60	35	26	16	48	M12	87	152	43,5	85	62	10,30	18	21
OTA-01-40	OTA-03-40	40	62	77	45	34	20	60	M16	108	176	54,0	100	80	14,25	20	27