



Special properties

- Housing: aluminium
- Equipped with DryLin® R linear plain bearings, part No. RJUM-01-ø, RJUM-03-ø or RJM-01
- Can be combined with DryLin® R housing bearing, part No. RJUM-06-ø
- The bearing in the housing is secured using DIN 472 circlips
- Mounting bolts DIN 912-8.8, lock washer DIN 7980
- Recommended tolerance for the shaft: h6 - h10 (see igus® shafts p. 64.44)
- Available from stock

mm

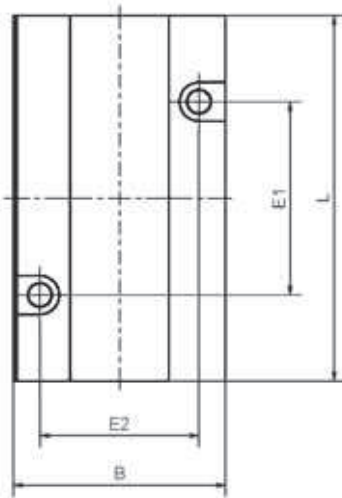
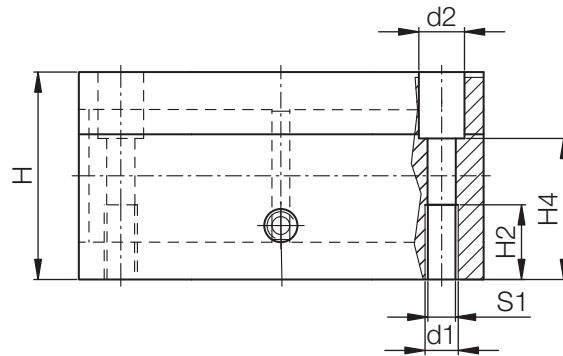
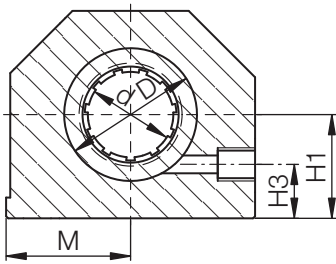
DryLin® R

Phone +49 - 22 03 - 96 49-145  
 Fax +49 - 22 03 - 96 49-334

igus® GmbH  
 51147 Cologne

Internet [www.igus.de](http://www.igus.de)  
 E-mail [info@igus.de](mailto:info@igus.de)

64.40



Dimensions [mm]

Part No.	Self-aligning	All Polymer Bearing	d [mm]	D [mm]	H [mm]	H1 [mm]	H2 [mm]	H3 [mm]	H4 [mm]	S1 [mm]	B [mm]	L [mm]	M [mm]	E1 [mm]	E2 [mm]	d1 [mm]	d2 [mm]
Standard with RJUM-01	aligning with RJUM-03	Polymer Bearing with RJM-01		H6		+0,01						+0,3	±0,02	±0,15	±0,15		
RTA-01-08	-	RTA-04-08	8	16	28	13	13	8	23	M 5	35	62	17,5	35	25	4,20	8
RTA-01-12	RTA-03-12	RTA-04-12	12	22	35	18	13	10	25	M 6	43	76	21,5	40	30	5,20	10
RTA-01-16	RTA-03-16	RTA-04-16	16	26	42	22	13	12	30	M 6	53	84	26,5	45	36	5,20	10
RTA-01-20	RTA-03-20	RTA-04-20	20	32	50	25	18	13	34	M 8	60	104	30,0	55	45	6,80	11
RTA-01-25	RTA-03-25	RTA-04-25	25	40	60	30	22	15	40	M10	78	130	39,0	70	54	8,60	15
RTA-01-30	RTA-03-30	RTA-04-30	30	47	70	35	26	16	48	M12	87	152	43,5	85	62	10,30	18
RTA-01-40	RTA-03-40	RTA-04-40	40	62	90	45	34	20	60	M16	108	176	54,0	100	80	14,25	20