



DryLin® R | Split Linear Bearing TJUI-01 | Inch

Inch

DryLin® R

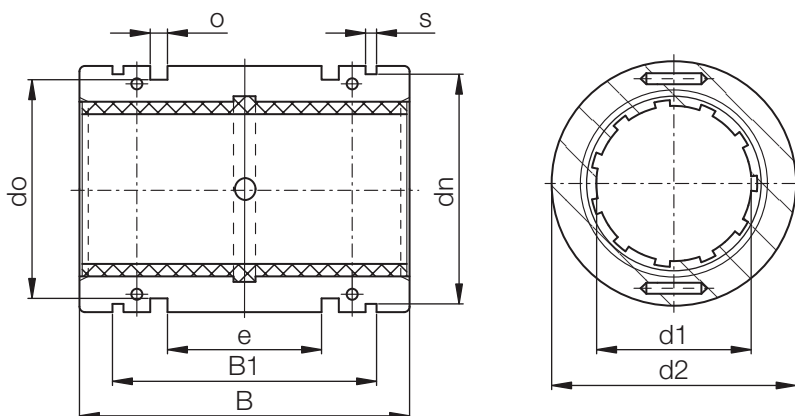


Special properties:

- Split, anodized aluminium housing
- Dimensions correspond to standard recirculating ball bearings
- Equipped with JUI-01 liner
- Recommended housing bore H7
- Recommended tolerance for the shaft: h6 - h10
- Secured by circlips (not included in delivery)

Phone +49 - 22 03 - 96 49-145
 Fax +49 - 22 03 - 96 49-334

igus® GmbH
 51147 Cologne



Dimensions [Inch]

Part No.	Ø Shaft [inch]	Tolerance* [inch]	d2 [inch] h7	B [inch] h10	B1 [inch] H10	s [inch] H10	dn [inch] h10	e [inch]	o [inch] +0,008	do [inch]
TJUI-01-08	1/2	0,0016-0,0036	,8750	1,2500	,9790	,0520	,8200	,281	,1250	,7120
TJUI-01-10	5/8	0,0016-0,0036	1,1250	1,5000	1,1240	,0620	1,0600	,312	,1250	,9620
TJUI-01-12	3/4	0,0016-0,0036	1,2500	1,6250	1,1860	,0620	1,1770	,312	,1250	1,0870
TJUI-01-16	1	0,0016-0,0036	1,5625	2,2500	1,7730	,0740	1,4710	,500	,1250	1,3990
TJUI-01-20	1-1/4	0,0020-0,0039	2,0000	2,6250	2,0230	,0740	1,8890	,625	,1250	1,8370
TJUI-01-24	1-1/2	0,0020-0,0047	2,3750	3,0000	2,4400	,0950	2,2410	,650	,1620	2,1520
TJUI-01-32	2	0,0024-0,0057	3,0000	4,0000	3,2220	,1110	2,8390	1,000	,1890	2,7750

* According to igus® testing method ► Page 64.37

Internet www.igus.de
 E-mail info@igus.de

64.50

Lifetime calculation, CAD files and much more support ► www.igus.de/en/DryLinR