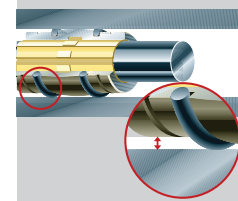
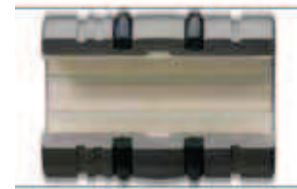
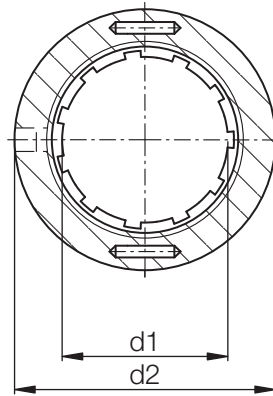
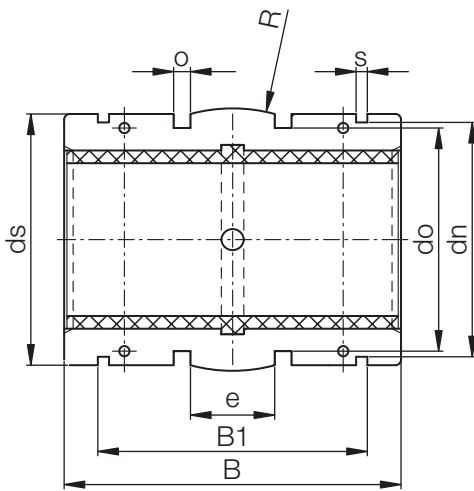




## Special properties:

- Split aluminium housing with
  - Spherical area on the outer diameter for self-aligning purposes
  - O-rings for elastic seating
- Dimensions otherwise equivalent to standard recirculating ball bearings
- Equipped with JUI-01 liner
- Recommended housing bore H7
- Recommended tolerance for the shaft: h6 - h10
- Secured by circlips (not included in delivery)



## Dimensions [Inch]

Part No.	Ø Shaft [inch]	Tolerance* [inch]	d2 [inch]	ds [inch]	B [inch]	B1 [inch]	s [inch]	dn [inch]	do [inch]	o [inch]	e [inch]
			h7	h10	h10	H10	H10	h10		+0,008	
TJUI-03-08	1/2	0,0016-0,0036	,8750	0,8563	1,2420	,9870	,0520	,8201	,7120	,1250	,2815
TJUI-03-10	5/8	0,0016-0,0036	1,1250	1,1039	1,4920	1,1360	,0620	1,0598	,9620	,1250	,3125
TJUI-03-12	3/4	0,0016-0,0036	1,2500	1,2276	1,6170	1,1980	,0620	1,1772	1,0870	,1250	,3125
TJUI-03-16	1	0,0016-0,0036	1,5625	1,5350	2,2382	1,7890	,0740	1,4709	1,3990	,1250	,5000
TJUI-03-20	1-1/4	0,0020-0,0039	2,0000	1,9654	2,6134	2,0390	,0740	1,8890	1,8370	,1250	,6250
TJUI-03-24	1-1/2	0,0020-0,0047	2,3750	2,3370	2,9843	2,4630	,0950	2,2409	2,1520	,1620	,7500
TJUI-03-32	2	0,0024-0,0057	3,0000	2,9531	3,9803	3,2490	,1110	2,8390	2,7750	,1890	1,0000

\* According to igus® testing method ► Page 64.37

DryLin® R  
Inch

Phone +49 - 22 03 - 96 49-145  
Fax +49 - 22 03 - 96 49-334

