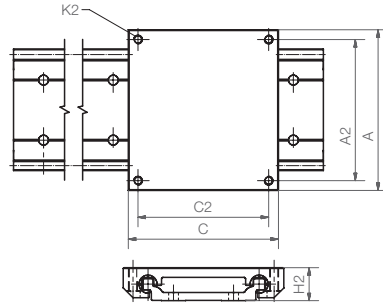
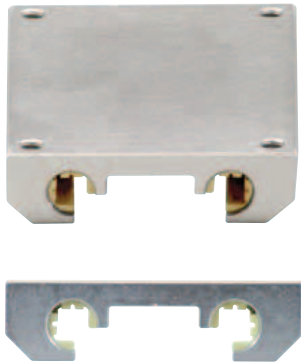


drylin® W Mono-Slide Guide Carriage



Load Data and Dimensions [mm]

Part number	Weight [kg]	A Width	C Length	A2	C2	K2	H2 ±0.17	Stat. Load Capacity				
								Coy [N]	Coz [N]	Mox [Nm]	Moy [Nm]	Moz [Nm]
WWC-06-30-06 <b>New!</b>	0.07	54	60	45	51	M4	16	1,680	840	25	34	34
WWC-06-30-08 <b>New!</b>	0.09	54	80	45	71	M4	16	1,680	840	25	51	51
WWC-06-30-10 <b>New!</b>	0.12	54	100	45	91	M4	16	1,680	840	25	68	68
WWC-10-40-10	0.21	73	100	60	87	M6	22	4,800	2,400	96	170	170
WWC-10-40-15	0.32	73	150	60	137	M6	22	4,800	2,400	96	290	290
WWC-10-40-20	0.42	73	200	60	187	M6	22	4,800	2,400	96	410	410
WWC-10-80-10	0.28	107	100	94	87	M6	22	4,800	2,400	178	170	170
WWC-10-80-15	0.42	107	150	94	137	M6	22	4,800	2,400	178	290	290
WWC-10-80-20	0.56	107	200	94	187	M6	22	4,800	2,400	178	410	410
WWC-10-120-10 <b>New!</b>	0.36	153	100	140	87	M6	22	4,800	2,400	288	170	170
WWC-10-120-15 <b>New!</b>	0.54	153	150	140	137	M6	22	4,800	2,400	288	290	290
WWC-10-120-20 <b>New!</b>	0.72	153	200	140	187	M6	22	4,800	2,400	288	410	410
WWC-16-60-10	0.41	104	100	86	82	M8	30	8,400	4,200	240	270	270
WWC-16-60-15	0.61	104	150	86	132	M8	30	8,400	4,200	240	480	480
WWC-16-60-20	0.80	104	200	86	182	M8	30	8,400	4,200	240	690	690
WWC-20-80-15 <b>New!</b>	0.99	134	150	116	132	M8	40	12,800	6,400	525	670	670
WWC-20-80-20 <b>New!</b>	1.33	134	200	116	182	M8	40	12,800	6,400	525	990	990
WWC-20-80-25 <b>New!</b>	1.66	134	250	116	232	M8	40	12,800	6,400	525	1,250	1,250

Fits to double rail, square  ► page 958

 **delivery** from stock  
time

 **prices** price list online  
[www.igus.co.uk/en/drylinW](http://www.igus.co.uk/en/drylinW)

 **order key**  
complete ► page 972

My Sketches

