



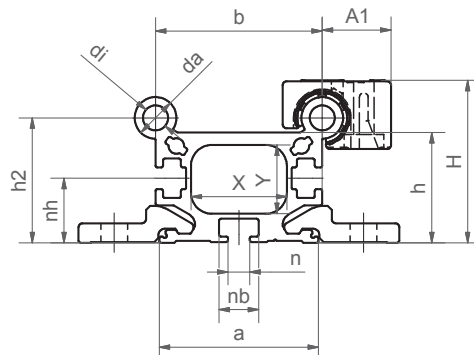
WSX-10-40



WSX-10-80



WSX-16-60



### Technical data and dimensions [mm]

Part No.	Weight [kg/m]	H <sup>57)</sup> ±0.25	da -0.1	di	L Max.	a	A1	b	h	h2	s	K1	C1	C3	G1
WSX-10-40	1.3	39 ±0.02	10	6	4,000	38.2	16.5	40	26.5	30	60	M6	29	16	30
WSX-10-80	2	39 ±0.02	10	6	4,000	72.2	16.5	74	26.5	30	94	M6	29	16	47
WSX-16-60	4.2	65 ±0.02	16	6	4,000	62	25	58	49	52	100	M8	36	18	50

nh	n	nb	X	Y	Surface inertia-moment		Moment of resistance	
					ly [mm <sup>4</sup> ]	lz [mm <sup>4</sup> ]	Wby [mm <sup>3</sup> ]	Wbz [mm <sup>3</sup> ]
15.5	5.2	9.5	23	16	97,560	54,910	3,902	3,074
15.5	5.2	9.5	55	16	483,653	83,613	11,515	4,684
27.6	10	15.4	40	27.0	540,876	773,489	14,618	24,586

<sup>57)</sup> Height dimension minus the bearing clearance tolerance



Order key

Type	Length
------	--------

### WS-10-40-3000

Profile rail, round
Shafts-Ø
Rail width [mm]
Rail length [mm]



Order key

Type	Length
------	--------

### WS X-10-40-4000

Profile rail
High profile rail
Shafts-Ø
Rail width [mm]
Rail length [mm]