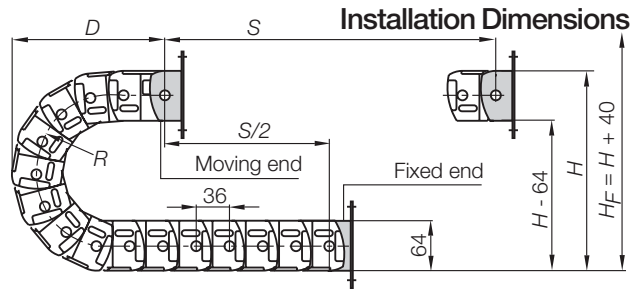


Series R68 classic E2 Tubes

Pitch = 36 mm Links per m = 28 Chain length = $S/2 + K$

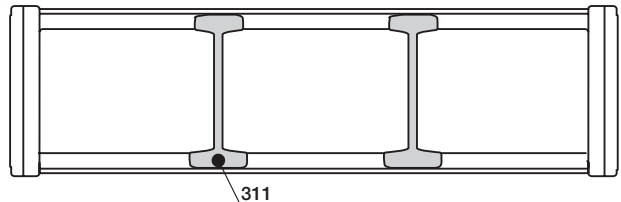
R	100	125	150	200	225	250	300
H	265	315	365	465	515	565	665
D	200	225	250	300	325	350	400
K	500	650	725	875	975	1050	1225

The required clearance height is $H_F = H + 40$ mm (with 2,5 kg/m fill weight). Please consult igus® if space is particularly restricted.



45

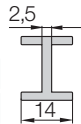
E2 Tubes classic
Inner height: 45 mm



Standard

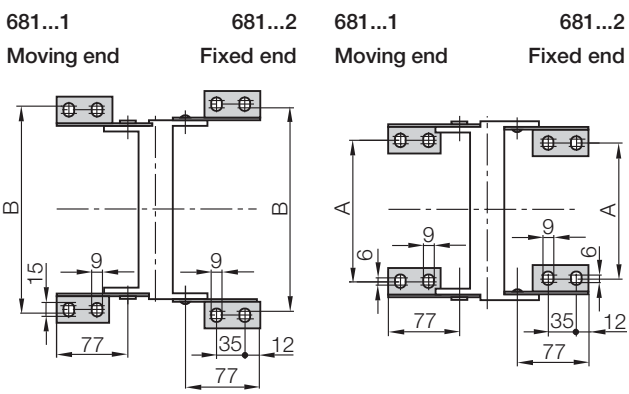
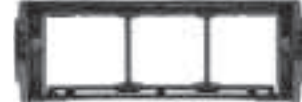
Vertical Separator

unassembled	301
assembled	311



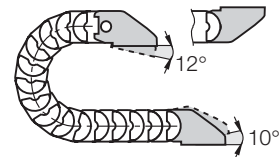
Interior Separation

(the complete range ▶ 6.34)



Moving end (with bore)

681.1



Mounting Brackets



681.2 Steel, two-piece, pivoting - attachment with socket head cap bolt M6 DIN 912-8.8

For E-Chain®	Part No.	Dimension A [mm]	Dimension B [mm]
68.1. ▶	681.12	60	112
68.2. ▶	681.12	100	152
68.3. ▶	681.12	160	212

The following parts are required for attachment of the mounting brackets:

- Socket head cap bolt M6* DIN 912-8.8 4 pieces/set
- Washer 6,3 DIN 125-ST 8 pieces/set
- Hexagon nut M6 DIN 934-8 4 pieces/set

* The length of the socket head cap bolt is dependent on the thickness of the attachment base.



Full set, for both ends:

681. 12

Single-part order:

681. 1

Mounting bracket with bore

681. 2

Mounting bracket with pin



Interior separation with full-width shelves and shelves



One-piece, steel mounting bracket, pivoting



Steel mounting bracket, flange, pivoting

Additional Features

For more features ▶ see link below



▶ chapter 9