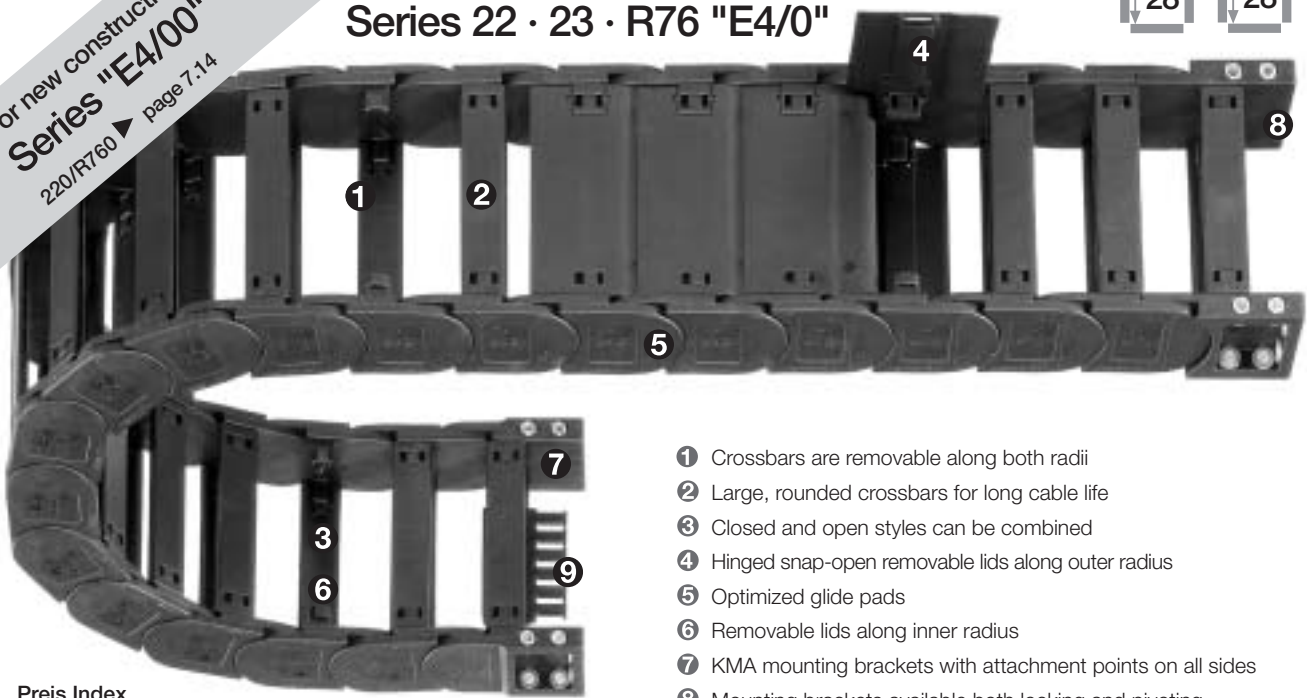


For new constructions:
Series "E4/00"
220/R760 ▶ page 7.14

Series 22 · 23 · R76 "E4/0"



igus® E-ChainSystems®



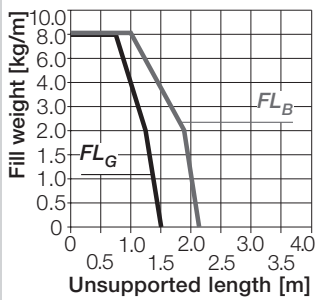
- ❶ Crossbars are removable along both radii
- ❷ Large, rounded crossbars for long cable life
- ❸ Closed and open styles can be combined
- ❹ Hinged snap-open removable lids along outer radius
- ❺ Optimized glide pads
- ❻ Removable lids along inner radius
- ❼ KMA mounting brackets with attachment points on all sides
- ❽ Mounting brackets available both locking and pivoting
- ❾ Integrated strain relief possible

Preis Index



Phone +49- (0) 22 03-96 49-800
Fax +49- (0) 22 03-96 49-222

igus® GmbH
51147 Cologne

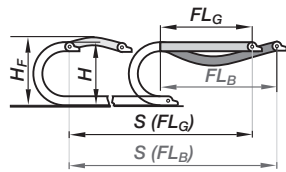


Length of travel S [m]

Unsupported length

FL_G = with straight upper run

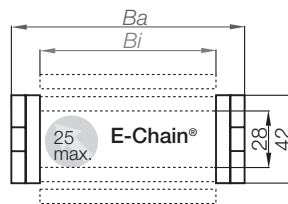
FL_B = with permitted sag



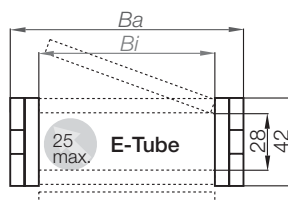
Series 22 crossbars every link



Series 23 crossbars every 2nd link



Series R76 fully enclosed E-Tube



Part No.	B_i [mm]	B_a [mm]	R [mm] Bending Radii
22/23.040. □.0	40	60	055* 063* 075
22/23/76.050. ... □.0	50	70	100 125 150
22/23.062. □.0	62	82	175 200 250
22/23.070. □.0	70	90	
22/23/76.075. ... □.0	75	095	
22/23/76.100. ... □.0	100	120	
22/23/76.125. ... □.0	125	145	
22/23/76.150. ... □.0	150	170	
22/23/76.175. ... □.0	175	195	
22/23/76.200. ... □.0	200	220	
22/23/76.225. ... □.0	225	245	
22/23/76.250. ... □.0	250	270	
22/23.275. □.0	275	295	
22/23/76.300. ... □.0	300	320	

Radii for all widths!

* Not available for R76

Part No. structure



22. 040.150.0

Color black
Bending radius
Width
Series



Order example 5,0 m complete E-Chain®

(Indicate chain-lengths or number of links)

5,0 m (55 links) **Series 22.040.150.0**

+ 2 separators **2211** assembled each 2nd link

+ 1 set mounting brackets **220.040.12**

Supplement Part No. with required radius. Example: 22.040. **150**.0

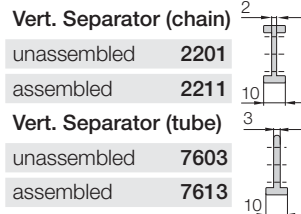
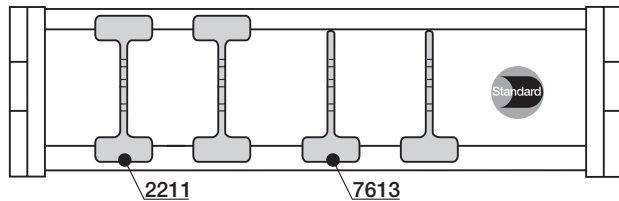
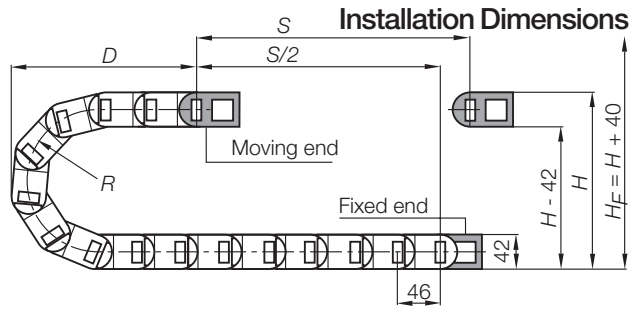
Bending radii listed above can be combined with every chain width!

Series 22 · 23 · R76 "E4/0"

Pitch = 46 mm Links per m = 22 Chain length = $S/2 + K$

R	055	063	075	100	125	150	175	200	250
H+20	154	170	194	244	294	344	394	444	544
D	125	133	145	170	195	220	145	270	320
K	265	290	330	410	485	565	645	725	880

The required clearance height is $H_F = H + 40$ mm (with 1,0 kg/m fill weight). Please consult igus® if space is particularly restricted.



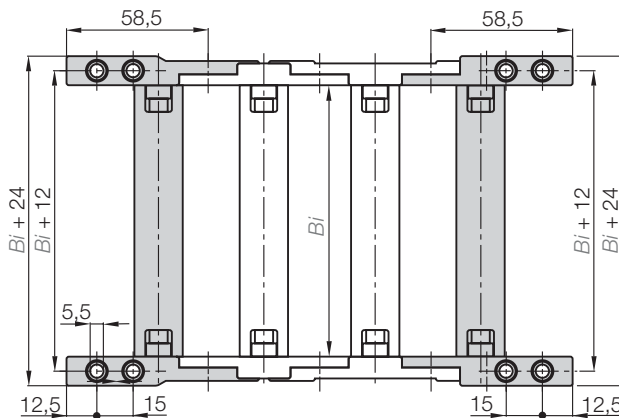
Interior Separation

(the complete range ▶ 7.14)

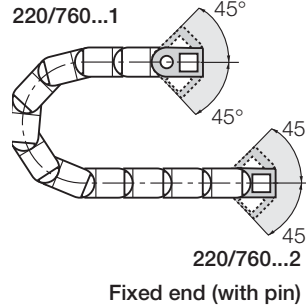


220/760...1
Moving end

220/760...2
Fixed end



Moving end (with bore)
220/760...1

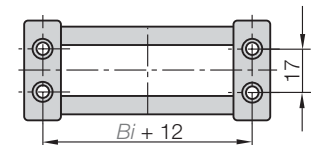


Fixed end (with pin)
220/760...2

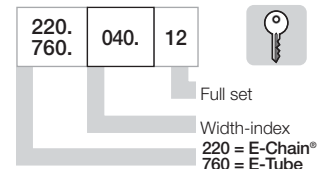
Mounting Brackets



KMA pivoting - attachment with socket head cap bolt M5 DIN 912-8.8



Part No. structure



Full set, for both ends:

220.040. 12

Single-part order:

220.040. 1

Mounting bracket with bore

220.040. 2

Mounting bracket with pin

For E-Chain®	Part No.	Bi
width-index	full set	[mm]
.040.	▶ 220/760.040.12	40
.050.	▶ 220/760.050.12	50
.062.	▶ 220/760.062.12	62
.070.	▶ 220/760.070.12	70
.075.	▶ 220/760.075.12	75
.100.	▶ 220/760.100.12	100
.125.	▶ 220/760.125.12	125

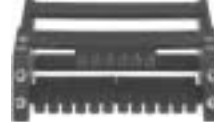
For E-Chain®	Part No.	Bi
width-index	full set	[mm]
.150.	▶ 220/760.150.12	150
.175.	▶ 220/760.175.12	175
.200.	▶ 220/760.200.12	200
.225.	▶ 220/760.225.12	225
.250.	▶ 220/760.250.12	250
.275.	▶ 220/760.275.12	275
.300.	▶ 220/760.300.12	300



Interior separation with full-width shelves and shelves possible



KMA mounting brackets, locking



Strain relief tiwrap plate as individual part

Additional Features

For more features ▶ see link below



28

E4/0
Inner height: 28 mm

Phone +49- (0) 22 03-96 49-800
Fax +49- (0) 22 03-96 49-222



▶ chapter 9