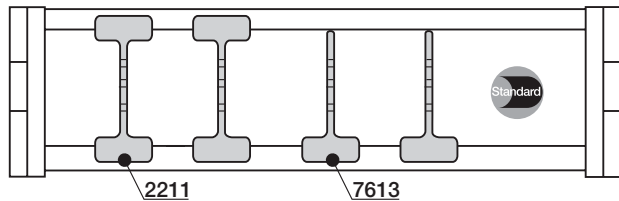
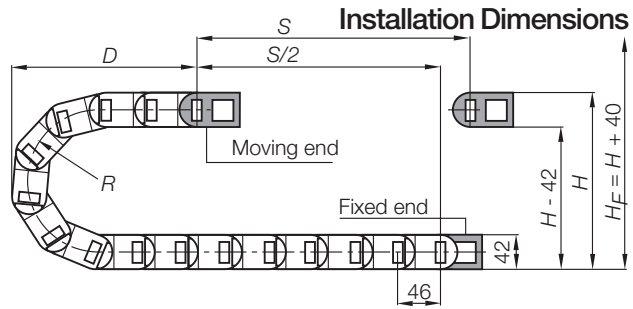


# Series 22 · 23 · R76 "E4/0"

Pitch = 46 mm    Links per m = 22    Chain length =  $S/2 + K$

<b>R</b>	055	063	075	100	125	150	175	200	250
<b>H+20</b>	154	170	194	244	294	344	394	444	544
<b>D</b>	125	133	145	170	195	220	145	270	320
<b>K</b>	265	290	330	410	485	565	645	725	880

The required clearance height is  $H_F = H + 40$  mm (with 1,0 kg/m fill weight). Please consult igus® if space is particularly restricted.



<b>Vert. Separator (chain)</b>	
unassembled	2201
assembled	2211
<b>Vert. Separator (tube)</b>	
unassembled	7603
assembled	7613

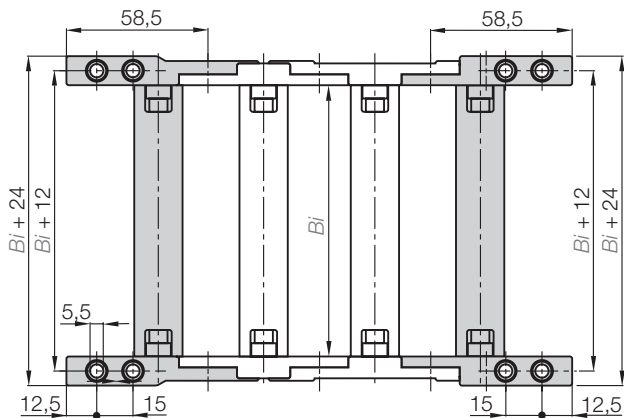
## Interior Separation

(the complete range ▶ 7.14)

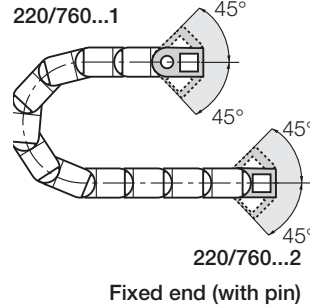


220/760...1  
Moving end

220/760...2  
Fixed end



Moving end (with bore)  
220/760...1

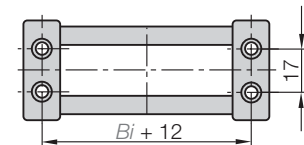


Fixed end (with pin)  
220/760...2

## Mounting Brackets



KMA pivoting - attachment with socket head cap bolt M5 DIN 912-8.8



Part No. structure

220.	040.	12	
760.			

Full set  
Width-index  
220 = E-Chain®  
760 = E-Tube

Full set, for both ends:

220.040. 12

Single-part order:

220.040. 1

Mounting bracket with bore

220.040. 2

Mounting bracket with pin

For E-Chain® width-index	Part No. full set	Bi [mm]
.040.	▶ 220/760.040.12	40
.050.	▶ 220/760.050.12	50
.062.	▶ 220/760.062.12	62
.070.	▶ 220/760.070.12	70
.075.	▶ 220/760.075.12	75
.100.	▶ 220/760.100.12	100
.125.	▶ 220/760.125.12	125

For E-Chain® width-index	Part No. full set	Bi [mm]
.150.	▶ 220/760.150.12	150
.175.	▶ 220/760.175.12	175
.200.	▶ 220/760.200.12	200
.225.	▶ 220/760.225.12	225
.250.	▶ 220/760.250.12	250
.275.	▶ 220/760.275.12	275
.300.	▶ 220/760.300.12	300



Interior separation with full-width shelves and shelves possible



KMA mounting brackets, locking



Strain relief tiwrap plate as individual part

## Additional Features

For more features ▶ see link below



28

E4/0  
Inner height: 28 mm

Phone +49- (0) 22 03-96 49-800  
Fax +49- (0) 22 03-96 49-222



▶ chapter 9