

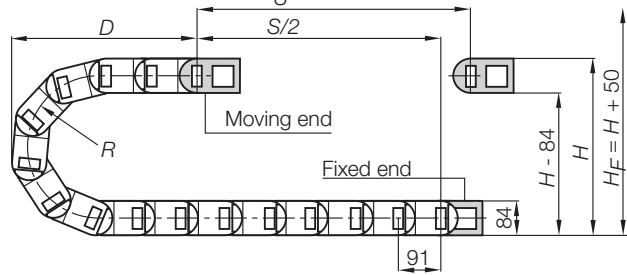
Series 40 · 41 · R88 "E4/0"

Pitch = 91 mm Links per m = 11 Chain length = $S/2 + K$

R	135	150	175	200	240	250	300	350	400	500
H+25	360	385	435	485	565	585	685	785	885	1085
D	270	285	310	335	375	385	435	485	535	635
K	650	750	825	900	1020	1050	1225	1340	1450	1775

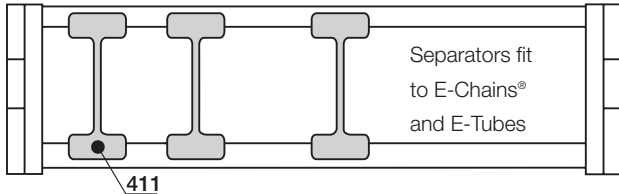
The required clearance height is $H_F = H + 50$ mm (with 2,0 kg/m fill weight). Please consult igus® if space is particularly restricted.

Installation Dimensions



56

E4/0
Inner height: 56 mm

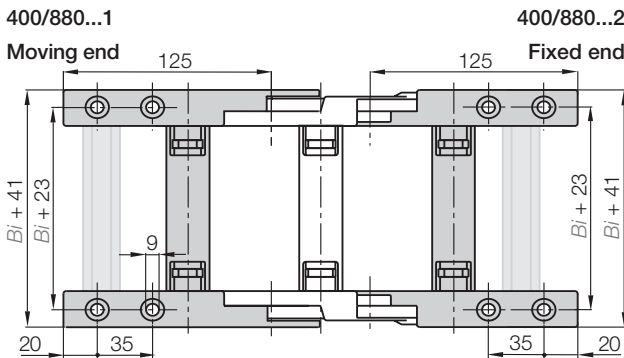


Vertical Separator

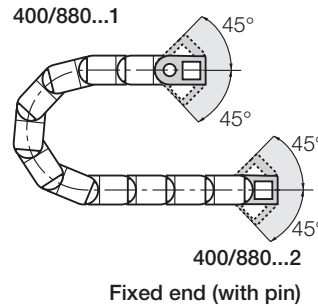
unassembled	401
assembled	411

Interior Separation

(the complete range ▶ 7.42)



Moving end (with bore)



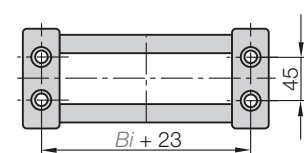
Mounting Brackets



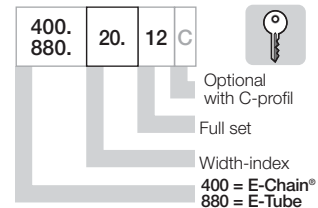
KMA pivoting - attachment with socket head cap bolt M8 DIN 912-8.8

For E-Chain®	Part No. full set	Bi
width-index	optional with C-profile	[mm]
.05.	▶ 400/880.05.12 C	50
.06.	▶ 400/880.06.12 C	65
.07.	▶ 400/880.07.12 C	75
.10.	▶ 400/880.10.12 C	100
.11.	▶ 400/880.11.12 C	112
.12.	▶ 400/880.12.12 C	125
.13.	▶ 400/880.13.12 C	137
.15.	▶ 400/880.15.12 C	150
.16.	▶ 400/880.16.12 C	162
.17.	▶ 400/880.17.12 C	175
.18.	▶ 400/880.18.12 C	187
.20.	▶ 400/880.20.12 C	200
.21.	▶ 400/880.21.12 C	212
.22.	▶ 400/880.22.12 C	225
.23.	▶ 400/880.23.12 C	237
.25.	▶ 400/880.25.12 C	250
.26.	▶ 400/880.26.12 C	262
.27.	▶ 400/880.27.12 C	275
.28.	▶ 400/880.28.12 C	287
.30.	▶ 400/880.30.12 C	300
.31.	▶ 400/880.31.12 C	312

For E-Chain®	Part No. full set	Bi
width-index	optional with C-profile	[mm]
.32.	▶ 400/880.32.12 C	325
.33.	▶ 400/880.33.12 C	337
.35.	▶ 400/880.35.12 C	350
.36.	▶ 400/880.36.12 C	362
.37.	▶ 400/880.37.12 C	375
.38.	▶ 400/880.38.12 C	387
.40.	▶ 400/880.40.12 C	400
.41.	▶ 400/880.41.12 C	412
.42.	▶ 400/880.42.12 C	425
.43.	▶ 400/880.43.12 C	437
.45.	▶ 400/880.45.12 C	450
.46.	▶ 400/880.46.12 C	462
.47.	▶ 400/880.47.12 C	475
.48.	▶ 400/880.48.12 C	487
.50.	▶ 400/880.50.12 C	500
.51.	▶ 400/880.51.12 C	512
.52.	▶ 400/880.52.12 C	525
.53.	▶ 400/880.53.12 C	537
.55.	▶ 400/880.55.12 C	550
.60.	▶ 400/880.60.12 C	600



Part No. structure



Full set, for both ends:

400.20. 12

Single-part order:

400.20. 1

Mounting bracket with bore

400.20. 2

Mounting bracket with pin

Various interior separation possible

Extension links for very large E-Chains®

Hinged crossbars

Extender crossbars for large hoses

KMA mounting brackets, locking

Steel mounting brackets, locking

Additional Features

For more features ▶ see link below

