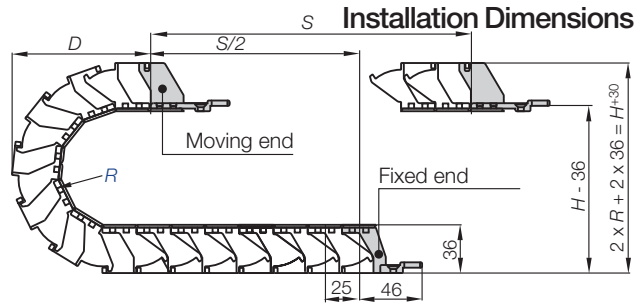


Pitch = 25 mm Links per m = 40 (2 Bänder/m) Chain length = $\frac{S}{2} + K$

R	045	063	075	100	125	150	175	200
H	162	198	222	272	322	372	422	472
D	110	128	140	165	190	215	240	265
K	200	250	300	375	450	525	600	675

The required clearance height is $H_F = H + 30$ mm (with 0,3 kg/m fill weight). Please consult igus® if space is particularly restricted.



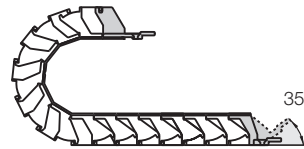
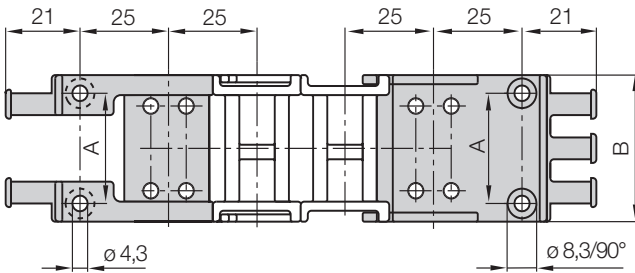
E-Band
Inner height: 25,5 mm

EB20.025.2.PZ
Fixed end

EB20.025.1.PZ
Moving end

Moving end
EB20.025.1.PZ

Mounting Brackets



EB20.025.2.PZ
Fixed end



One-piece mounting brackets with strain relief tiwrap plates

For E-Chain®	Part No.	Dimension A [mm]	Dimension B [mm]
	full set with tiwrap plate		
EB20.025. ▶	EB20.025.12.PZ	26	36

Tiwrap plates are possible at the moving end and/or the fixed end!

Phone +49- (0) 22 03-96 49-800
Fax +49- (0) 22 03-96 49-222



Additional Features

For more features
▶ see link below

